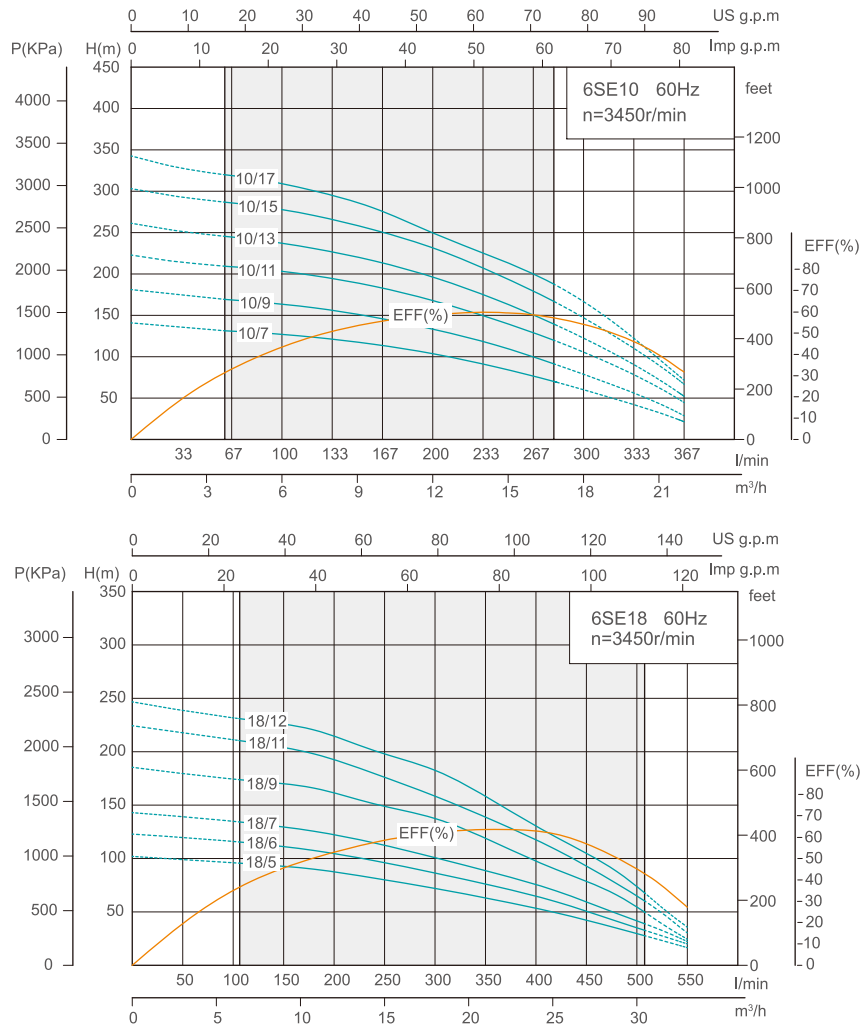
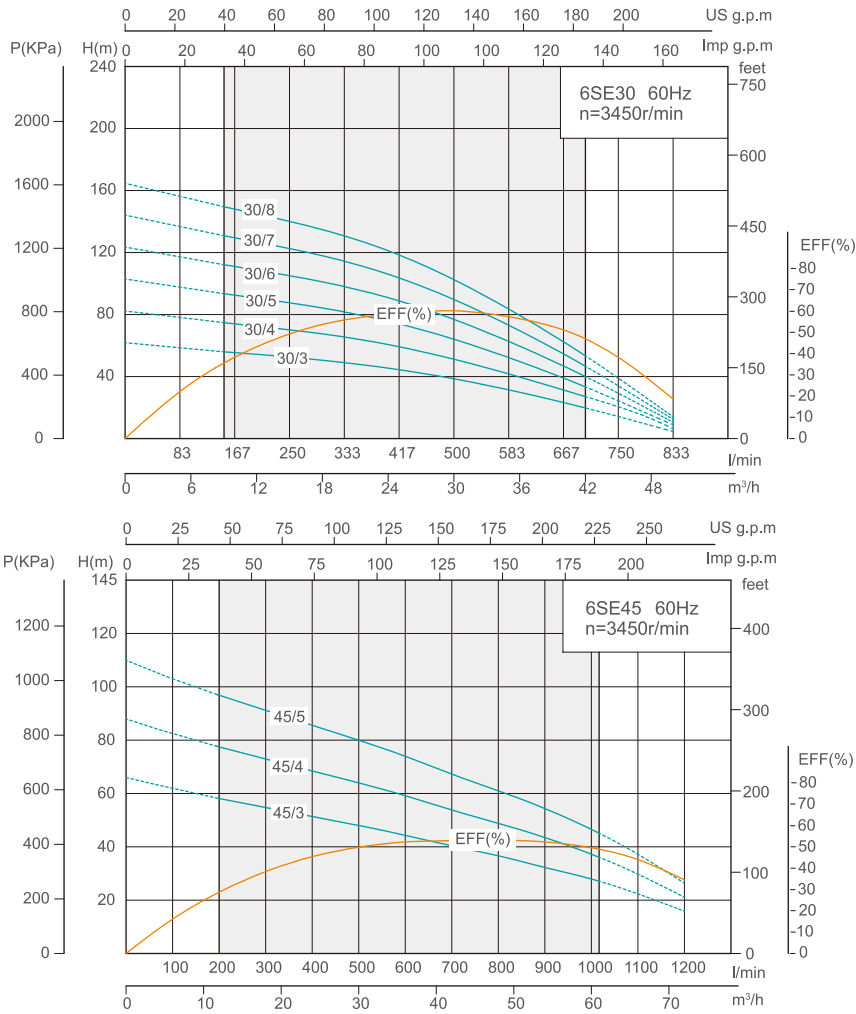


Performance Curve



Model	Power		Current (A)	Flow													Head Range (m)	
	Three-Phase 220V/380V	kW		HP	Three-Phase 220V/380V	m ³ /h	0	2	4	6	8	10	14	16	18	20		22
6SE 10/7	5.5	7.5	22.5/13	H(m)	l/min	0	33	67	100	133	167	200	233	267	300	333	367	132~69
6SE 10/9	7.5	10	31.2/18		141	135	131	127	121	114	104	90	77	60	42	21	170~91	
6SE 10/11	9.2	12.5	36.4/21		181	174	169	164	156	146	133	118	100	79	56	29	210~119	
6SE 10/13	11	15	41.6/24		225	214	209	203	195	183	168	150	129	106	78	45	246~138	
6SE 10/15	13	17.5	45/26		261	251	245	237	225	213	196	175	150	122	91	52	287~166	
6SE 10/17	15	20	48.5/28		300	293	286	278	266	250	232	207	179	147	110	67	321~186	

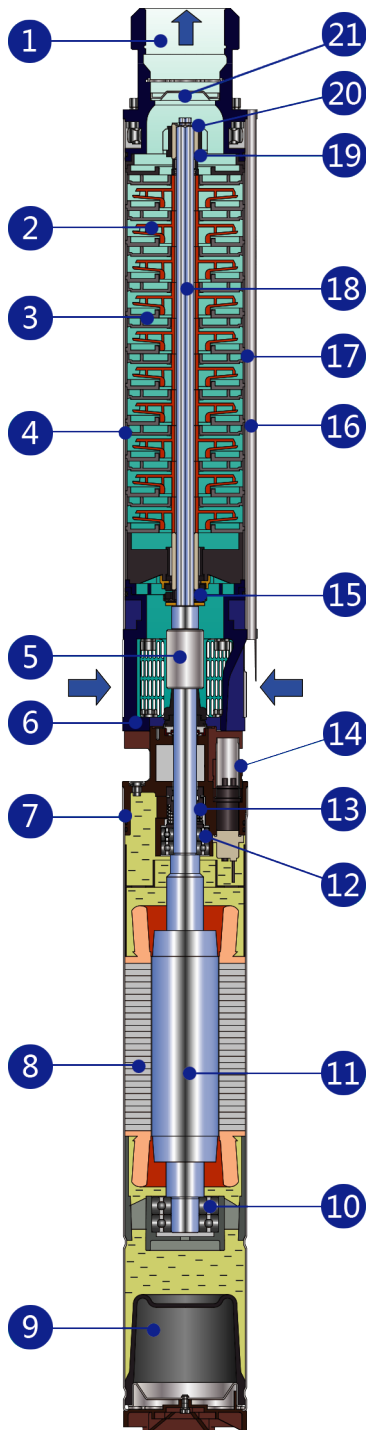
Model	Power		Current (A)	Flow													Head Range (m)	
	Three-Phase 220V/380V	kW		HP	Three-Phase 220V/380V	m ³ /h	0	3	6	9	12	15	18	21	24	27		30
6SE 18/5	5.5	7.5	22.5/13	H(m)	l/min	0	50	100	150	200	250	300	350	400	450	500	550	96~28
6SE 18/6	7.5	10	31.2/18		102	99	96	93	88	80	72	63	53	42	30	17	115~33	
6SE 18/7	9.2	12.5	36.4/21		123	120	116	111	105	96	86	76	65	51	35	20	134~39	
6SE 18/9	11	15	41.6/24		143	139	135	130	122	112	101	89	76	59	42	22	174~50	
6SE 18/11	13	17.5	45/26		185	180	174	170	161	149	137	119	98	79	55	24	210~61	
6SE 18/12	15	20	48.5/28		224	218	211	204	193	176	158	139	130	93	65	30	231~68	



Model	Power		Current (A)	Flow													Head Range (m)
	Three-Phase 220V/380V	kW		HP	Three-Phase 220V/380V	m³/h	0	5	10	15	20	25	30	35	40	45	
6SE 30/3	5.5	7.5	22.5/13	H(m)	0	62	58	55	53	49	44	39	31	23	14	4	56~19
6SE 30/4	7.5	10	31.2/18		83	82	78	74	70	66	59	51	42	31	21	6	75~27
6SE 30/5	9.2	12.5	36.4/21		167	103	98	93	88	82	74	65	52	39	24	9	94~33
6SE 30/6	11	15	41.6/24		250	124	117	111	105	98	89	77	63	47	29	11	112~39
6SE 30/7	13	17.5	45/26		333	144	137	130	123	114	104	90	73	55	34	13	131~46
6SE 30/8	15	20	48.5/28		417	165	156	148	140	131	118	103	84	62	39	14	150~52
					500												

Model	Power		Current (A)	Flow													Head Range (m)		
	Three-Phase 220V/380V	kW		HP	Three-Phase 220V/380V	m³/h	0	6	12	18	24	30	36	42	48	54		60	66
6SE 45/3	7.5	10	31.2/18	H(m)	0	66	62	58	55	51	48	44	40	37	32	28	22	16	58~27
6SE 45/4	11	15	41.6/24		100	88	82	77	73	68	64	59	54	49	43	37	30	21	77~36
6SE 45/5	15	20	48.5/28		200	110	103	97	91	86	80	74	67	61	54	47	37	26	96~45

Components & Materials



No.	Component	Material
1	Discharge Chamber	Casting
2	Impeller	POM
3	Guide Vanes	PC
4	Pump Sleeve	Stainless Steel
5	Shaft Coupling	Stainless Steel
6	Inlet Part	Casting
7	Oil Chamber	Casting
8	Stator	---
9	Pressure Regulating Membrane	NBR
10	Bearing	5.5~7.5Kw:7306B DT 9.2~15kW:7306BWG
11	Rotor	AISI304+Steel45#
12	Bearing	2x6205
13	Mechanical Seal	FP/25 A:S(PC)
14	Cable Joint	---
15	Thrust Plate	Brass
16	Cable Guard	Stainless Steel
17	Pump Housing	Stainless Steel
18	Pump Shaft	Stainless Steel
19	Rubber Bearing	NBR
20	Upper Shaft Sleeve	Stainless Steel
21	Check Valve Cover (Except 30&45 Squate)	Stainless Steel