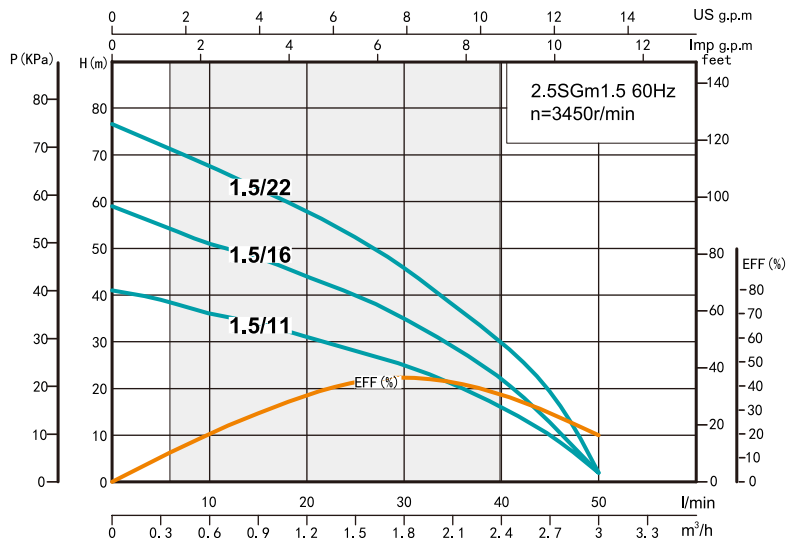
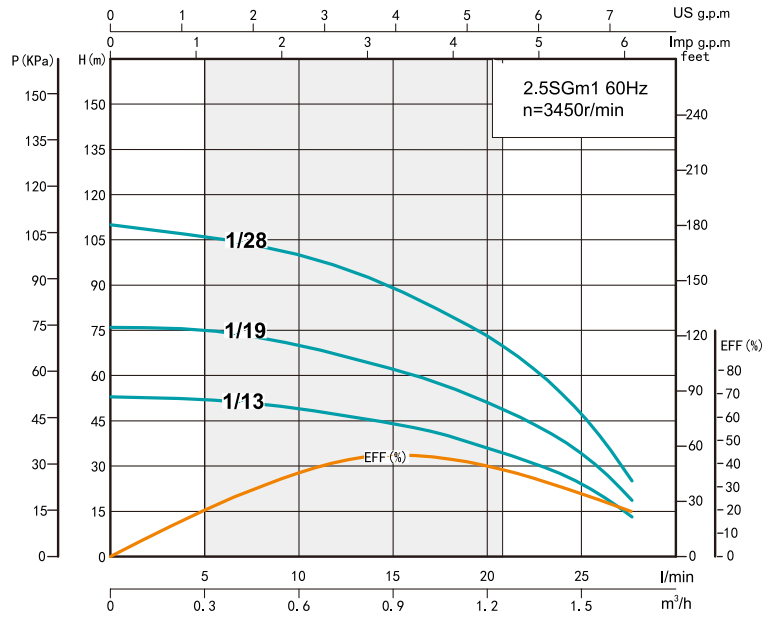


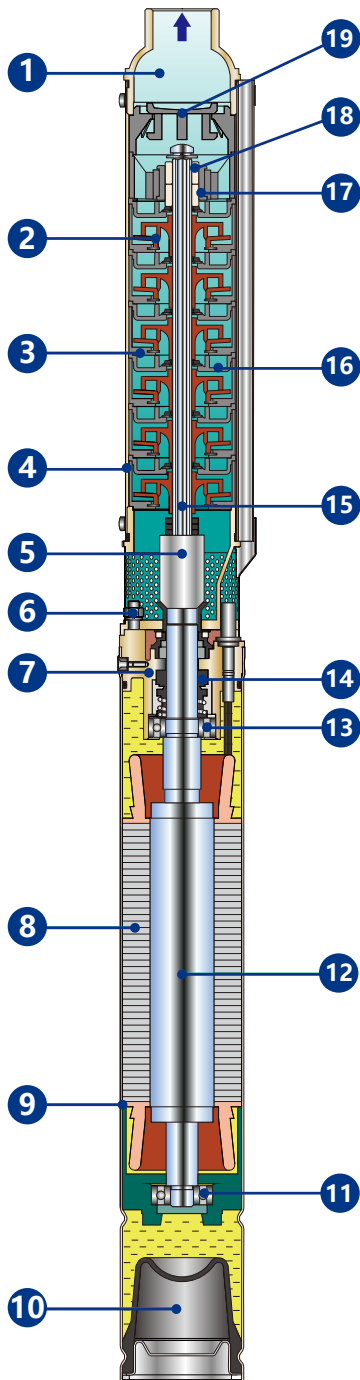
Performance Curve



Model	Power		Rate Current (A)		Flow								Head Range (m)	
					Flow									
					m³/h	0	0.3	0.6	0.9	1.2	1.5	1.8		
Single-Phase	kW	HP	127V	220V	l/min	0	5	10	15	20	25	30		
127V/220V			5.2	2.3	H(m)	52	51	49	44	36	24	2	52~33	
2.5SGm1/13	0.25	0.33	5.2	2.3		75	74	69	62	51	34	2	74~44	
2.5SGm1/19	0.37	0.5	7.2	3.1		110	106	98	88	82	45	2	106~68	

Model	Power		Rate Current (A)		Flow										Head Range (m)		
					Flow												
					m³/h	0	0.3	0.6	0.9	1.2	1.5	1.8	2.1	2.4		2.7	3
Single-Phase	kW	HP	127V	220V	l/min	0	5	10	15	20	25	30	35	40	45	50	
127V/220V			5.2	2.3	H(m)	41	39	36	34	31	28	25	21	16	10	2	38~16
2.5SGm1.5/11	0.25	0.33	5.2	2.3		59	55	51	48	44	40	35	29	22	11	2	54~22
2.5SGm1.5/16	0.37	0.5	7.2	3.1		77	72	68	63	61	52	46	39	30	19	3	71~30

Components & Materials



No.	Component	Material
1	Discharge Chamber	Brass, Casting, Stainless, Steel
2	Impeller	POM
3	Guide Vane Cover	PC
4	Pump Sleeve	Stainless Steel
5	Shaft Coupling	Stainless Steel
6	Inlet Part	Brass
7	Oil Chamber	Brass
8	Stator	- - -
9	Housing	Stainless Steel
10	Pressure Regulating Membrane	NBR
11	Lower Sliding Bearing	7201B
12	Rotor	AISI 304 + Steel 45#
13	Upper Sliding Bearing	6003
14	Mechanical Seal	108-16/25 B:K(PC)
15	Pump Shaft	Stainless Steel
16	Guide Vanes	PC
17	Rubber Bearing	NBR
18	Shaft Sleeve	Ceramic
19	Check Valve	PC