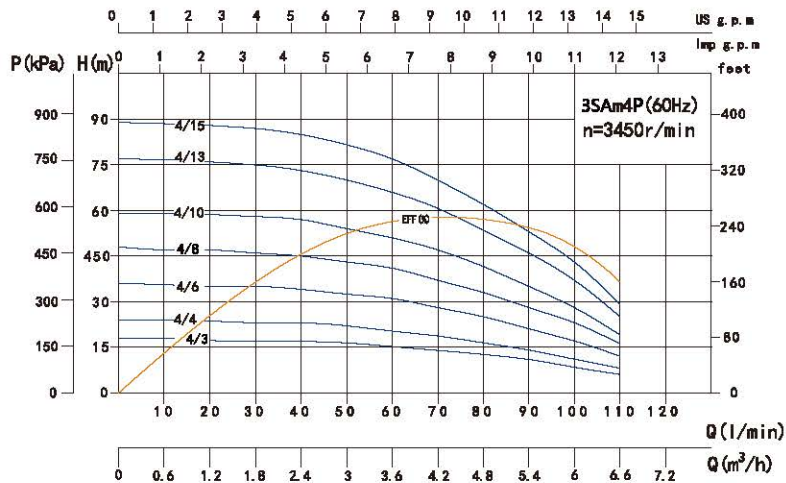
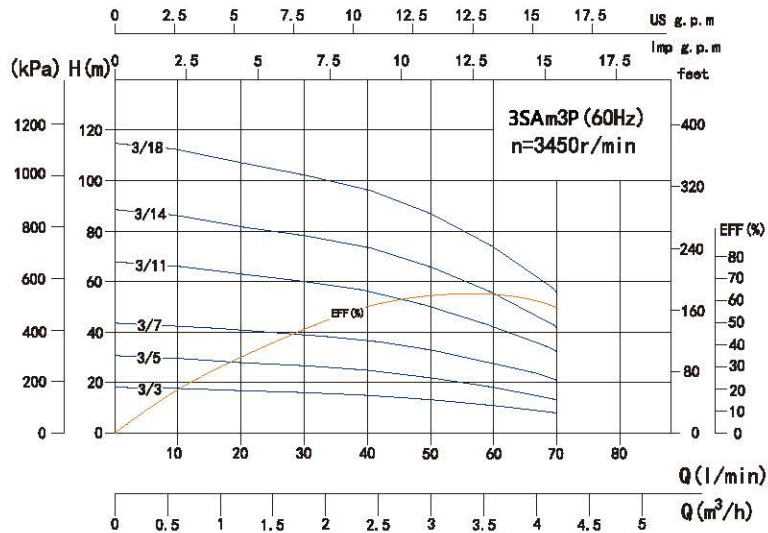
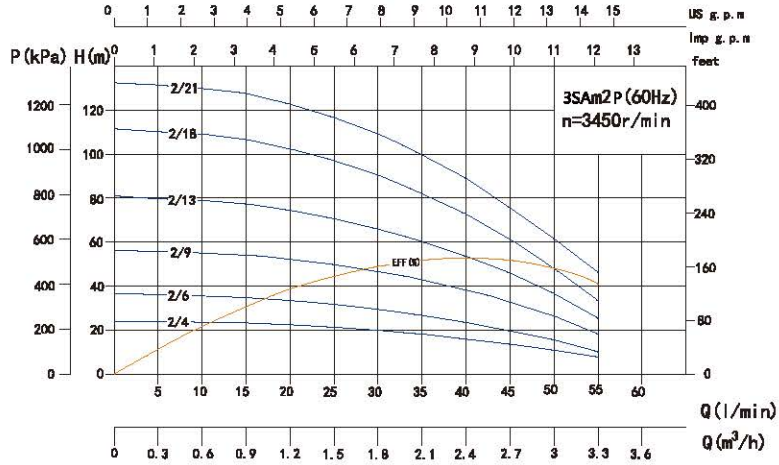


Performance Curve

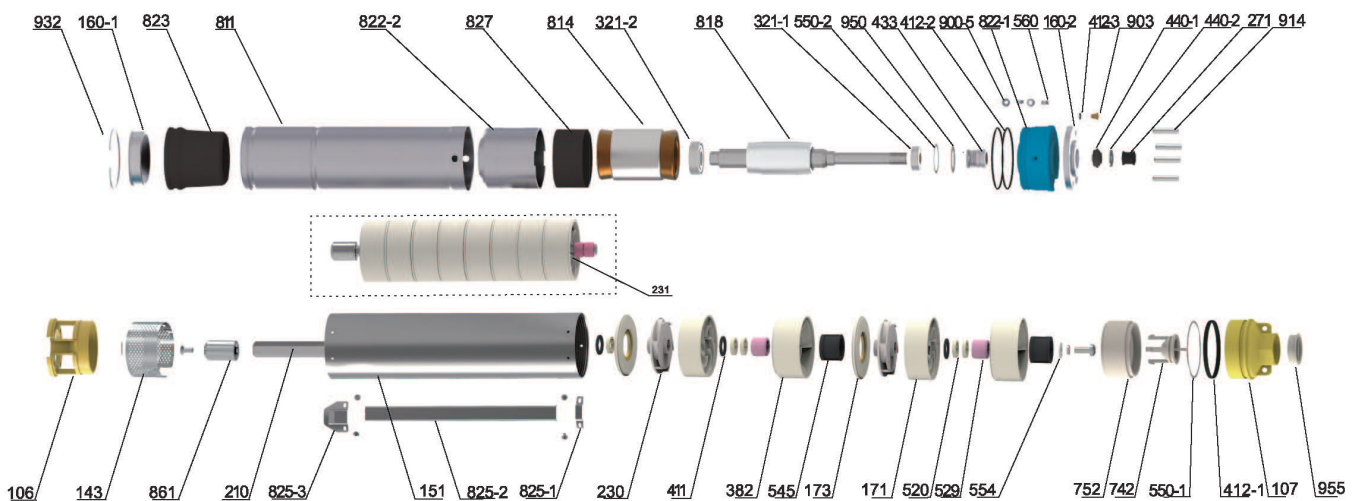


Model	Power		Rate Current (A)		Flow												Head Range (m)	
	kW	HP	Rate Current (A)		m ³ /h	0	0.3	0.6	0.9	1.2	1.5	1.8	2.1	2.4	2.7	3		3.3
			127V	220V	l/min	0	5	10	15	20	25	30	35	40	45	50		55
127V/220V																		
3SAm2/4P	0.18	0.25	2.0	3.6	H(m)	24	23	23	23	22	21	19	18	15	13	10	7	23~13
3SAm2/6P	0.25	0.33	2.8	4.8		36	36	35	34	33	31	29	26	23	19	15	10	35~19
3SAm2/9P	0.37	0.5	4.1	6.7		56	55	55	54	52	49	46	42	38	32	26	18	54~23
3SAm2/13P	0.55	0.75	5.6	9.5		81	79	78	77	74	70	66	59	53	46	36	25	78~32
3SAm2/18P	0.75	1	7.1	13.4		111	110	109	106	101	97	90	81	73	59	46	33	101~43
3SAm2/21P	1.1	1.5	7.9	16.0		132	130	129	127	122	116	109	100	88	75	61	46	129~56

Model	Power		Rate Current (A)		Flow									Head Range (m)
	kW	HP	Rate Current (A)		m ³ /h	0	0.6	1.2	1.8	2.4	3	3.6	4.2	
			127V	220V	l/min	0	10	20	30	40	50	60	70	
127V/220V														
3SAm3/3P	0.18	0.25	2.0	3.6	H(m)	18	17	16	16	15	13	10	8	17~9
3SAm3/5P	0.25	0.33	2.9	5.1		30	29	27	26	25	21	18	13	28~15
3SAm3/7P	0.37	0.5	4.2	7.1		43	42	40	37	36	31	27	19	41~24
3SAm3/11P	0.55	0.75	6.1	10.2		68	66	62	60	56	50	43	33	63~33
3SAm3/14P	0.75	1	7.4	13.6		88	86	81	78	73	65	55	41	82~42
3SAm3/18P	1.1	1.5	8.7	17.1		114	112	106	102	96	86	74	56	108~57

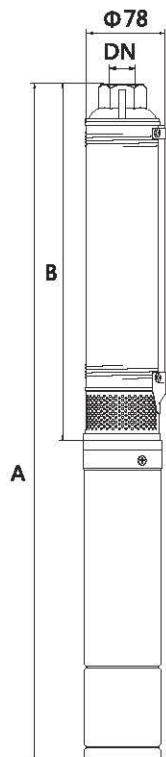
Model	Power		Rate Current (A)		Flow												Head Range (m)	
	kW	HP	Rate Current (A)		m ³ /h	0	0.6	1.2	1.8	2.4	3	3.6	4.2	4.8	5.4	6		6.6
			127V	220V	l/min	0	10	20	30	40	50	60	70	70	80	90		100
127V/220V																		
3SAm4/3P	0.18	0.25	3.7	2.2	H(m)	18	18	17	17	17	17	15	14	12	11	8	6	17~11
3SAm4/4P	0.25	0.33	5.0	3.1		24	24	23	23	23	22	20	19	16	14	11	8	23~14
3SAm4/6P	0.37	0.5	7.1	4.11		36	35	35	35	34	32	31	28	25	21	17	12	35~21
3SAm4/8P	0.55	0.75	9.4	5.4		48	47	47	46	45	43	41	37	33	28	23	16	47~28
3SAm4/10P	0.75	1	11.4	6.6		59	59	58	58	57	54	51	47	41	35	28	19	58~35
3SAm4/13P	0.92	1.25	14.4	7.9		77	77	76	75	74	70	66	61	53	46	37	25	76~46
3SAm4/15P	1.1	1.5	16.9	9.2		89	88	88	87	85	81	77	70	62	53	43	29	88~53

Components & Materials



No.	Part name	No.	Part name	No.	Part name	No.	Part name
106	Inlet joint	321-1	Deep groove ball bearing 6202	545	Rubber bearing	825-1	Small pressing plate
107	Delivery chamber	321-2	Deep groove ball bearing 6003	550-1	Adjusting washer	825-2	Cable pressing plate
143	Net cover	382	Bearing block	550-2	Flat washer	825-3	Small pressing plate
151	Sleeve	411	Wear washer	554	Flat washer	827	Lower spacer sleeve
160-1	Bottom cover	412-1	O-ring	560	Locating sleeve	904	Vent cock
160-2	Cover plate	412-2	O-ring	742	Bonnet	904	Vent cock
171	Guide vane	412-3	O-ring	752	Valve seat	914	Hexagon socket flat point set screw
173	Guide vane cover plate	433	Mechanical seal	814	Stator core with winding	932	Retaining ring
210	Pump shaft	440-1	Anti-sand seat	818	Rotor	950	Wave spring
230	Impeller	440-2	Anti-sand pad	822-1	Oil chamber	955	Dust cover
231	Impeller string	520	Spacer bush	822-2	Lower bearing block		
271	Anti-sand sleeve	529	Shaft sleeve	823	Pressure regulating film		

Dimensions & Weight



Model	Pipe Connexion (DN)	Dim. (mm)		N.W.(kg)	
		B	A Single-Phase	Body(kg)	Motor(kg) M(Single-phase)
3SAm2/4P	G1/NPT1	261	558	1.6	3.9
3SAm2/6P		306	627	1.9	4.6
3SAm2/9P		373	724	2.2	5.4
3SAm2/13P		486	878	2.9	6.3
3SAm2/18P		598	1020	3.4	7.1
3SAm2/21P		665	1172	3.8	9.3

Model	Pipe Connexion (DN)	Dim. (mm)		N.W.(kg)	
		B	A Single-Phase	Body(kg)	Motor(kg) M(Single-phase)
3SAm3/3P	G1/NPT1	245	542	0.9	3.9
3SAm3/5P		294	616	1.2	4.6
3SAm3/7P		343	694	1.5	5.4
3SAm3/11P		465	856	1.9	6.3
3SAm3/14P		538	960	2.3	7.1
3SAm3/18P		636	1150	2.7	9.3

Model	Pipe Connexion (DN)	Dim. (mm)		N.W.(kg)	
		B	A Single-Phase	Body(kg)	Motor(kg) M(Single-phase)
3SAm4/3P	G1 ¼ / NPT1 ¼	242	297	1.4	3.9
3SAm4/4P		273	322	1.5	4.6
3SAm4/6P		336	352	1.6	5.4
3SAm4/8P		398	392	1.9	6.3
3SAm4/10P		461	422	2.0	7.1
3SAm4/13P		555	462	2.2	8.5
3SAm4/15P		642	507	2.9	9.3

Packing Size & Weight

Model	Dim. (mm)	G.W.(kg)	20"LoadinE Qty.(pcs)
Single-phase	Pump(LxWxH)		
3SAm2/4P	850x90x185	6.5	1780
3SAm2/6P	920x90x185	7.5	1610
3SAm2/9P	1010x90x185	8	1590
3SAm2/13P	1180x90x185	10	1380
3SAm2/18P	1325x90x185	11.5	1230
3SAm2/21P	1465x90x185	14	905

Model	Dim. (mm)	G.W.(kg)	20"LoadinE Qty.(pcs)
Single-phase	Pump(LxWxH)		
3SAm3/3P	850x90x185	6	1920
3SAm3/5P	920x90x185	7.5	1770
3SAm3/7P	995x90x185	8	1630
3SAm3/11P	1180x90x185	10	1400
3SAm3/14P	1265x90x185	11.5	1270
3SAm3/18P	1435x90x185	14	1120

Model	Dim. (mm)	G.W.(kg)	20"LoadinE Qty.(pcs)
Single-phase	Pump(LxWxH)		
3SAm4/3P	850x90x185	5.5	1840
3SAm4/4P	920x90x185	6.5	1700
3SAm4/6P	1010x90x185	7.5	1550
3SAm4/8P	1100x90x185	9.0	1420
3SAm4/10P	1180x90x185	10.0	1320
3SAm4/13P	1325x90x185	11.5	1180
3SAm4/15P	1470x90x185	13.0	1060

