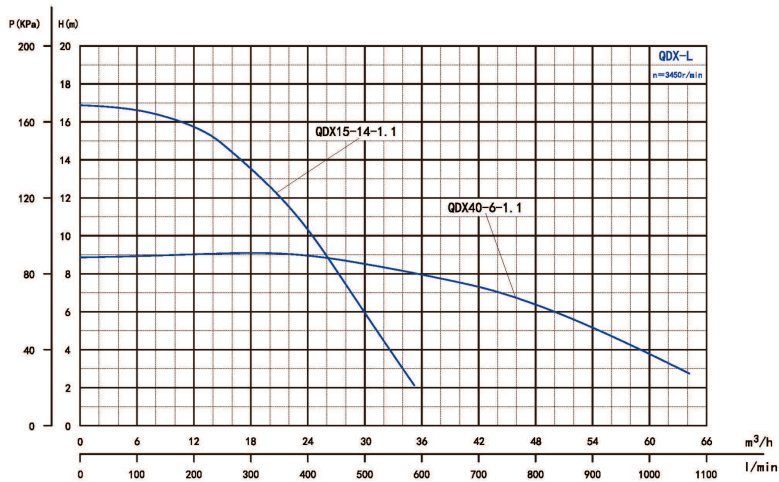
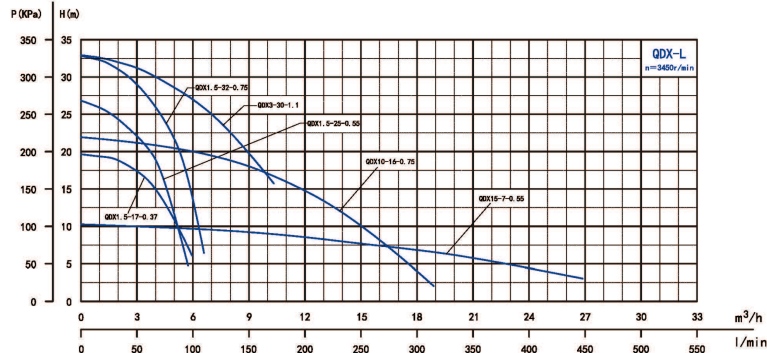
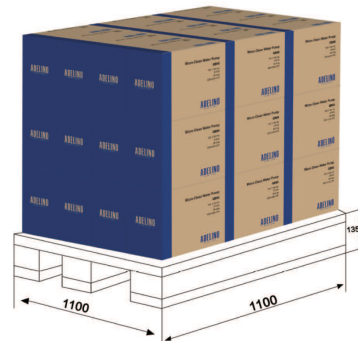


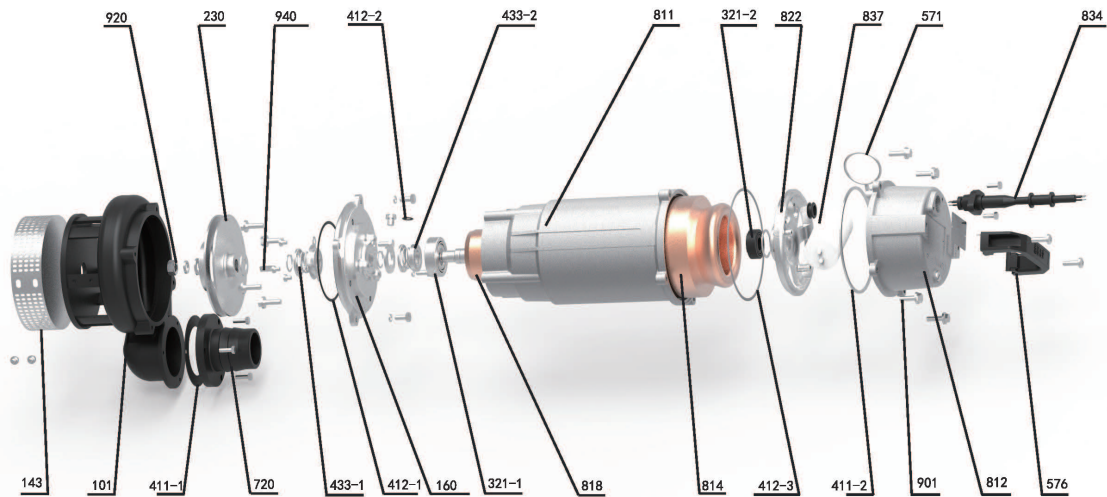
Performance Curve



Model	Power		Rate Current (A)	Max. Flow (m³/h)	Max. Head (m)	Head Range (m)	Cable line (m)	Dim.mm (LxBxH)	G.W. (kg)	20' Loading Qty. (pcs)
	kW	HP								
QDX1.5-17-0.37L3(F)(120V/60Hz)	0.370	0.50	5.3	6.0	18.0	18-4	3x0.75-8	380x180x200	6.5	2047
QDX1.5-17-0.37L3(F)(220V/60Hz)	0.370	0.50	2.9	6.0	18.0	18-4	3x0.75-8	380x180x200	6.5	2047
QDX1.5-25-0.55L3(F)(120V/60Hz)	0.550	0.75	7.5	6.6	26.0	26-17	3x1-8	395x195x220	8.5	1652
QDX1.5-25-0.55L3(F)(220V/60Hz)	0.550	0.75	4.1	6.6	26.0	26-17	3x0.75-8	395x195x220	8.5	1652
QDX1.5-32-0.75L3(F)(120V/60Hz)	0.750	1.00	9.6	6.9	33.0	32-17	3x1.5-8	420x210x230	10.0	1428
QDX1.5-32-0.75L3(F)(220V/60Hz)	0.750	1.00	5.2	6.9	33.0	32-17	3x0.75-8	420x210x230	10.0	1428
QDX10-16-0.75L3(F)(120V/60Hz)	0.750	1.00	9.6	15.0	20.0	19-10	3x1.5-8	420x195x230	10.5	1486
QDX10-16-0.75L3(F)(220V/60Hz)	0.750	1.00	5.2	15.0	20.0	19-10	3x0.75-8	420x195x230	10.5	1486
QDX15-14-1.1L3(F)(220V/60Hz)	1.100	1.50	7.3	30.0	18.0	18-0	3x1.5-8	470x285x225	17.5	990
QDX15-7-0.55L3(F)(120V/60Hz)	0.550	0.75	7.5	25.2	9.0	9-2	3x1-8	410x210x220	8.5	1478
QDX15-7-0.55L3(F)(220V/60Hz)	0.550	0.75	4.1	25.2	9.0	9-2	3x0.75-8	410x210x220	8.5	1478
QDX3-30-1.1L3(F)(220V/60Hz)	1.100	1.50	7.3	9.6	31.0	31-0	3x1.5-8	455x285x225	13.5	1022
QDX40-6-1.1L3(F)(220V/60Hz)	1.100	1.50	7.3	54.0	9.0	9-0	3x1.5-8	505x280x215	19.5	921

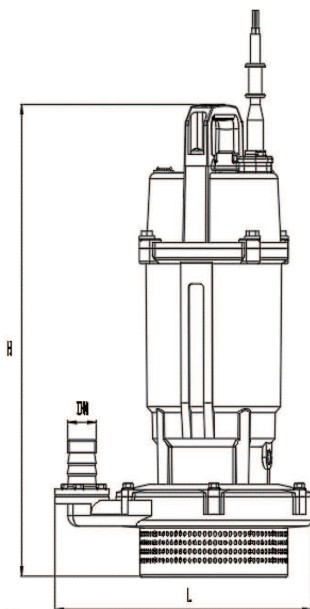


Components & Materials



No.	Part name	No.	Part name	No.	Part name
101	Casing	412-2	O-ring	814	Stator core with winding
143	Net cover	412-3	O-ring	818	Rotor
160	Oil chamber cover	433-1	Mechanical seal	822	Upper bearing housing
230	Impeller	433-2	Mechanical seal	834	Cable sheath
321-1	Deep groove ball bearing	571	Capacitor fixing ring	837	Capacitance
321-2	Deep groove ball bearing	576	Handle	901	Hexagon flange face bolts
411-1	Rubber washer	720	Water outlet	920	Type 1 hex nut
411-2	Rubber washer	811	Enclosure	940	Ordinary flat key
412-1	O-ring	812	Top cover		

Dimensions & Weight



Model	Dim.(mm)			N.W. (kg)
	L	H	DN	
QDX1.5-17-0.37L3(F)(120V/60Hz)	190	365	25mm	6.0
QDX1.5-17-0.37L3(F)(220V/60Hz)	190	365	25mm	6.0
QDX1.5-25-0.55L3(F)(120V/60Hz)	225	376	25mm	8.0
QDX1.5-25-0.55L3(F)(220V/60Hz)	225	376	25mm	8.0
QDX1.5-32-0.75L3(F)(120V/60Hz)	233	397	25mm	9.5
QDX1.5-32-0.75L3(F)(220V/60Hz)	233	397	25mm	9.5
QDX10-16-0.75L3(F)(120V/60Hz)	230	402	50mm	10.0
QDX10-16-0.75L3(F)(220V/60Hz)	230	400	50mm	10.0
QDX15-14-1.1L3(F)(220V/60Hz)	244	457	65mm(G2)	16.5
QDX15-7-0.55L3(F)(120V/60Hz)	234	390	65mm(G2)	8.0
QDX15-7-0.55L3(F)(220V/60Hz)	234	390	65mm(G2)	8.0
QDX3-30-1.1L3(F)(220V/60Hz)	230	437	25mm	12.5
QDX40-6-1.1L3(F)(220V/60Hz)	265	488	80mm(G2½)	18.5