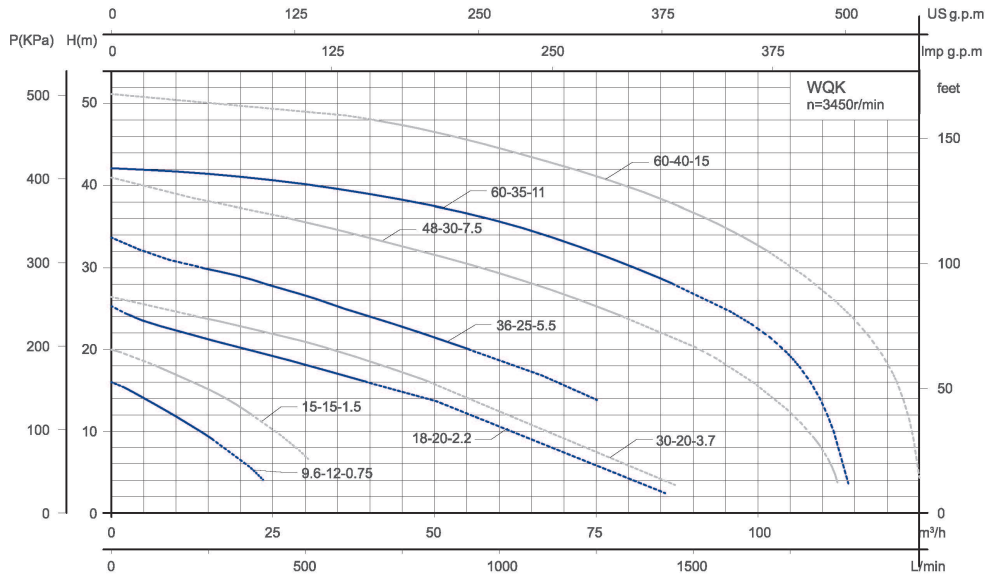
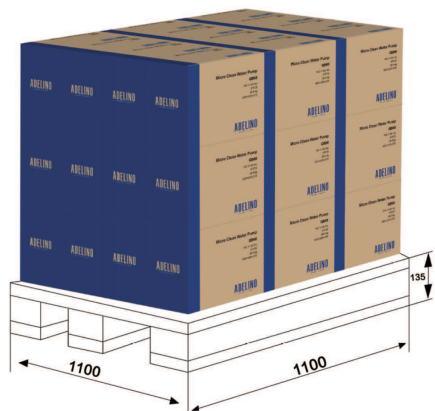


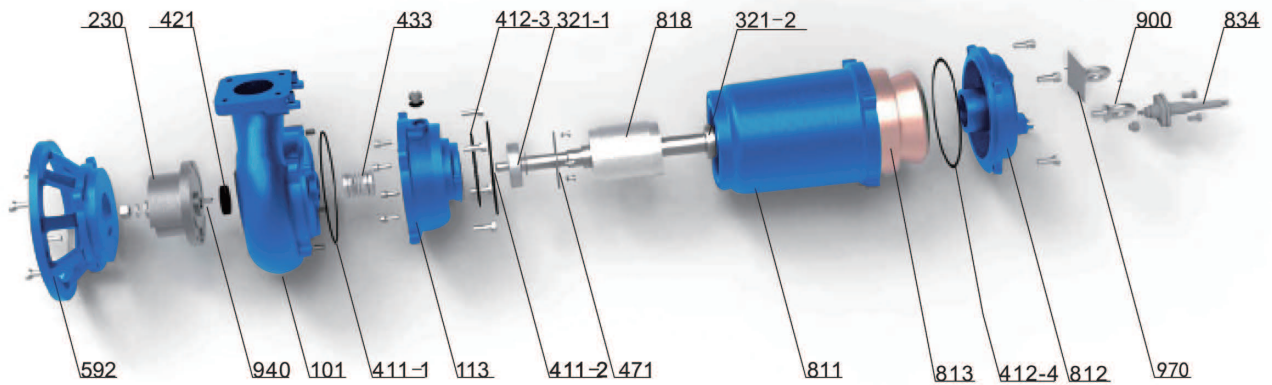
Performance Curve



Model	Power		Rate Current (A)	Max. Flow (m³/h)	Max. Head (m)	Head Range (m)	Cable line (m)	Dim.mm (LxBxH)	G.W. (kg)	20' Loading Qty. (pcs)
	kW	HP								
WQK9.6-12-0.75(380V/60Hz)	0.750	1.00	2	22.0	15.0	9 ~ 15	4x1.5-6	525x250x305	30.0	699
WQK15-15-1.5(380V/60Hz)	1.500	2.20	3.6	33.0	21.0	12 ~ 18	4x1.5 ☆ -6	600x255x330	45.0	555
WQK18-20-2.2(380V/60Hz)	2.200	3.00	5.1	55.0	25.0	16 ~ 24	4x1.5 ☆ -6	600x275x365	56.0	465
WQK30-20-3.7(380V/60Hz)	3.700	5.00	8.2	72.0	27.0	16 ~ 24	4x4-6	370x325x680	72.0	342
WQK36-25-5.5(380V/60Hz)	5.500	7.50	11.7	90.0	32.0	20 ~ 30	4x4-6	400x340x770	86.0	267
WQK48-30-7.5(380V/60Hz)	7.500	10.00	15.7	110.0	39.0	24 ~ 36	3x6+1x4-6	400x340x770	92.0	267
WQK60-35-11(380V/60Hz)	11.000	15.00	22.9	100.0	43.0	28 ~ 42	7x4-6	910x405x480	132.0	158
WQK60-40-15(380V/60Hz)	15.000	20.00	30.8	110.0	53.0	32 ~ 48	7x4-6	910x405x480	139.0	158
WQK9.6-12-0.75(220V/440V-60Hz)	0.750	1.00	3.5/1.7	22.0	15.0	9 ~ 15	4x1.5-6	525x250x305	30.0	699
WQK15-15-1.5(220V/440V-60Hz)	1.500	2.20	6.3/3.1	33.0	21.0	12 ~ 18	4x1.5 ☆ -6	600x255x330	45.0	555
WQK18-20-2.2(220V/440V-60Hz)	2.200	3.00	8.8/4.4	55.0	25.0	16 ~ 24	4x1.5 ☆ -6	600x275x365	56.0	465
WQK30-20-3.7(220V/440V-60Hz)	3.700	5.00	14.1/7.1	72.0	27.0	16 ~ 24	4x4-6	370x325x680	72.0	342
WQK36-25-5.5(220V/440V-60Hz)	5.500	7.50	20.1/10.6	90.0	32.0	20 ~ 30	4x4-6	395x340x940	86.0	222
WQK48-30-7.5(220V/440V-60Hz)	7.500	10.00	27.1/13.6	110.0	39.0	24 ~ 36	3x6+1x4-6	395x340x940	92.0	222
WQK60-35-11(220V/440V-60Hz)	11.000	15.00	39.5/19.8	100.0	43.0	28 ~ 42	3x6+1x4-6	910x405x480	132.0	158
WQK60-40-15(220V/440V-60Hz)	15.000	20.00	53.3/26.6	110.0	53.0	32 ~ 48	3x10+1x6-6	910x405x480	139.0	158

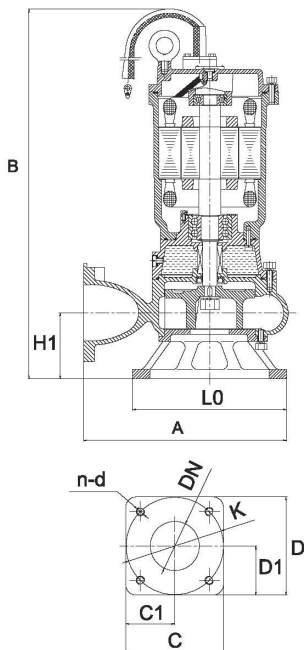


Components & Materials



No.	Part name	No.	Part name	No.	Part name
101	Pump body	411-3	O-ring	812	Head cover
113	Oil chamber	411-4	O-ring	814	Stator core with winding
230	Impeller	421	Framework oil seal	818	Rotor
321-1	Deep groove ball bearing	433	Mechanical seal	834	Cable
321-2	Deep groove ball bearing	471	Bearing gland	900	Lifting bolt
411-1	O-ring	592	Base	940	Ordinary flat key
411-2	O-ring	811	Casing	970	Nameplate

Dimensions & Weight



Model	Dim.(mm)			N.w. (kg)
	A	B	DN	
WQK9.6-12-0.75(380V/60Hz)	250	448	50	27.0
WQK15-15-1.5(380V/60Hz)	270	506	50	40.0
WQK18-20-2.2(380V/60Hz)	293	510	80	51.0
WQK30-20-3.7(380V/60Hz)	325	536	80	66.0
WQK36-25-5.5(380V/60Hz)	270	622	100	79.0
WQK48-30-7.5(380V/60Hz)	315	622	100	85.0
WQK60-35-11(380V/60Hz)	380	745	100	126.0
WQK60-40-15(380V/60Hz)	380	745	100	133.0
WQK9.6-12-0.75(220V/440V-60Hz)	250	448	50	27.0
WQK15-15-1.5(220V/440V-60Hz)	270	506	50	40.0
WQK18-20-2.2(220V/440V-60Hz)	293	510	80	51.0
WQK30-20-3.7(220V/440V-60Hz)	325	536	80	66.0
WQK36-25-5.5(220V/440V-60Hz)	270	622	100	79.0
WQK48-30-7.5(220V/440V-60Hz)	315	622	100	85.0
WQK60-35-11(220V/440V-60Hz)	380	745	100	126.0
WQK60-40-15(220V/440V-60Hz)	380	745	100	133.0