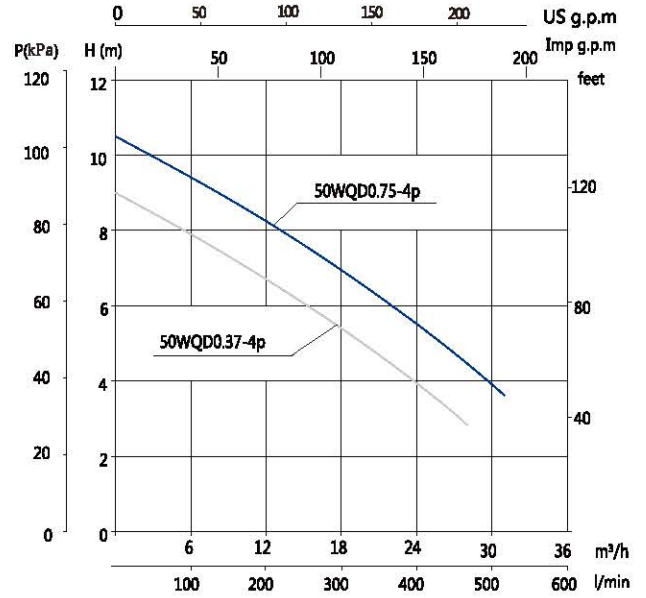
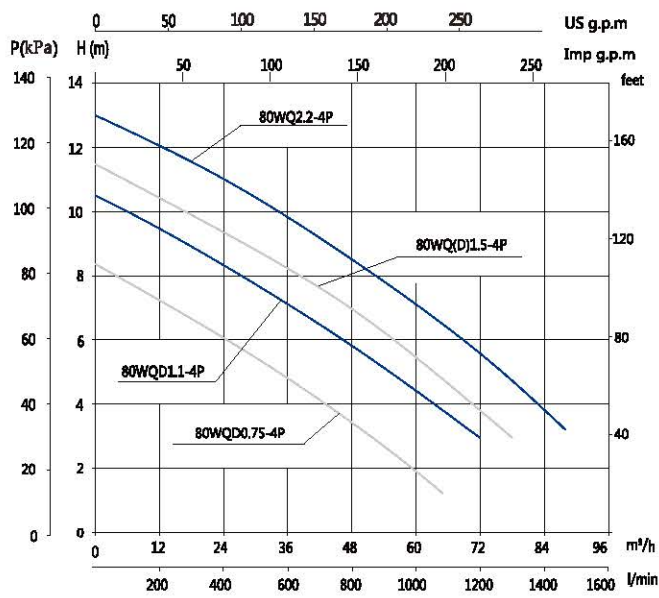


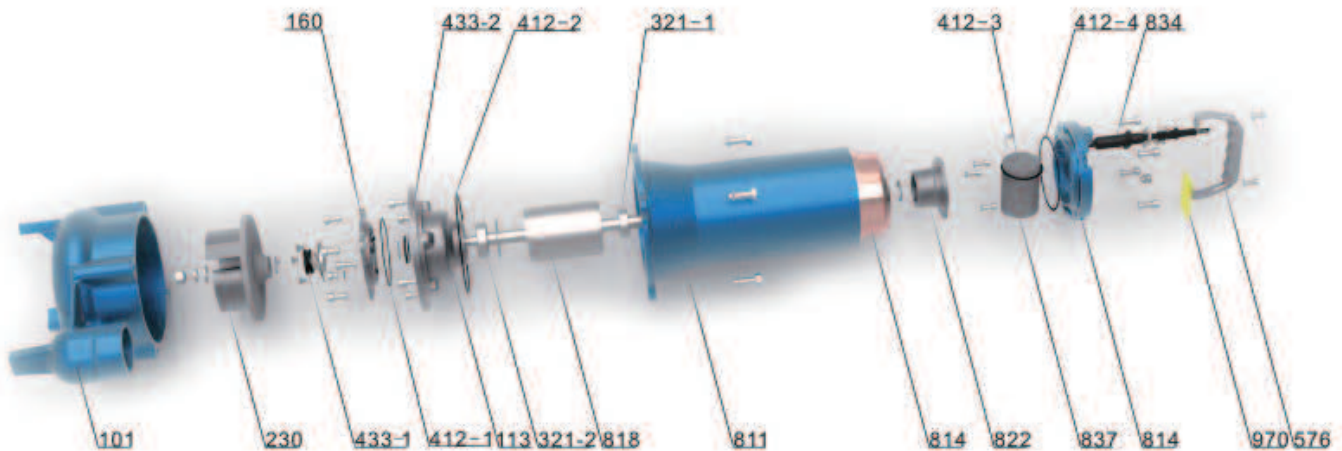
**Performance Curve**



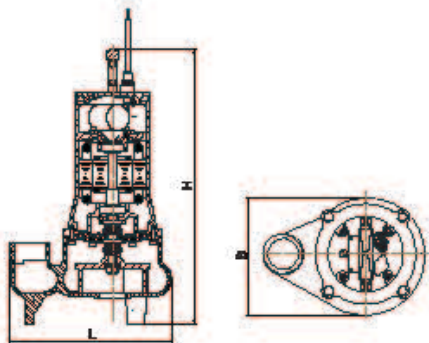
Model	Power		Rate Current (A)	Max. Flow (m³/h)	Max. Head (m)	Cable line (m)	Dim.mm (L×B×H)	G.W. (kg)	20' Loading Qty. (pcs)
	kW	HP							
50WQD0.37-4P(127V/60Hz)	0.37	0.5	7.5	28	9	3×1-8	330×230×550	30	320
50WQD0.37-4P(F)(127V/60Hz)	0.37	0.5	7.5	28	9	3×1-8	330×230×550	30	320
50WQD0.37-4P(230V/60Hz)	0.37	0.5	3.5	28	9	3×0.75-8	330×230×550	30	320
50WQD0.37-4P(F)(230V/60Hz)	0.37	0.5	3.5	28	9	3×0.75-8	330×230×550	30	320
50WQD0.75-4P(230V/60Hz)	0.75	1	6	31	10.5	3×0.75-8	330×230×600	34	320
50WQD0.75-4P(F)(230V/60Hz)	0.75	1	6	31	10.5	3×0.75-8	330×230×600	34	320
50WQD0.75-4P(127V/60Hz)	0.75	1	11	31	10.5	3×1.5-8	330×230×600	34	320
50WQD0.75-4P(F)(127V/60Hz)	0.75	1	11	31	10.5	3×1.5-8	330×230×600	34	320
80WQD0.75-4P(127V/60Hz)	0.75	1	11	65	8.5	3×2.5-8	425×320×660	50	160
80WQD0.75-4P(230V/60Hz)	0.75	1	6	65	8.5	3×1-8	425×320×660	50	160
80WQD1.1-4P(127V/60Hz)	1.1	1.5	15.5	72	10.5	3×2.5-8	425×320×660	51	160
80WQD1.1-4P(230V/60Hz)	1.1	1.5	8.5	72	10.5	3×1.5-8	425×320×660	51	160
80WQD1.5-4P(230V/60Hz)	1.5	2	11.5	78	11.5	3×2.5-8	425×320×680	53	160
80WQ1.5-4P(230V/60Hz)	1.5	2	7.5	78	11.5	4×1-8	425×320×650	52	160
80WQ2.2-4P(230V/60Hz)	2.2	3	10.5	88	13	4×1.5-8	425×320×680	56	160



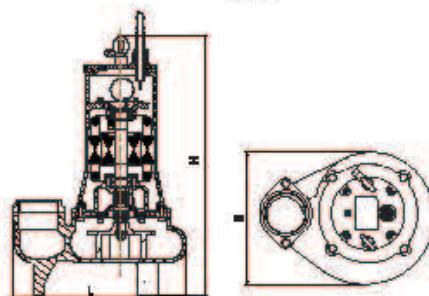
## Components & Materials



No.	Part name	No.	Part name	No.	Part name
101	Pump body	412-2	O-ring	812	Head cover
113	Oil chamber	412-3	O-ring	814	Stator core with winding
160	Oil chamber cover	412-4	O-ring	818	Rotor
230	Impeller	433-1	Mechanical seal	822	Upper bearing block
321-1	Deep groove ball bearing	433-2	Mechanical seal	834	Cable
321-2	Deep groove ball bearing	576	Handle	837	Running capacitor
412-1	O-ring	811	Casing	970	Nameplate



50WQ(D)



80WQ(D)

## Dimensions & Weight

Model	Dim. (mm)			DN	N.W. (kg)
	L	B	H		
50WQD0.37-4P(127V/60Hz)	300	220	505	NPT2	28
50WQD0.37-4P(F)(127V/60Hz)	300	220	505	NPT2	28
50WQD0.37-4P(230V/60Hz)	300	220	505	NPT2	28
50WQD0.37-4P(F)(230V/60Hz)	300	220	505	NPT2	28
50WQD0.75-4P(230V/60Hz)	300	220	545	NPT2	32
50WQD0.75-4P(F)(230V/60Hz)	300	220	545	NPT2	32
50WQD0.75-4P(127V/60Hz)	300	220	545	NPT2	32
50WQD0.75-4P(F)(127V/60Hz)	300	220	545	NPT2	32
80WQD0.75-4P(127V/60Hz)	385	295	590	NPT3/NPT2	46
80WQD0.75-4P(230V/60Hz)	385	295	590	NPT3/NPT2	47
80WQD1.1-4P(127V/60Hz)	385	295	590	NPT3/NPT2	48
80WQD1.1-4P(230V/60Hz)	385	295	590	NPT3/NPT2	49
80WQD1.5-4P(230V/60Hz)	385	295	620	NPT3/NPT2	50
80WQ1.5-4P(230V/60Hz)	385	295	575	NPT3/NPT2	49
80WQ2.2-4P(230V/60Hz)	385	295	615	NPT3/NPT2	53

## Submersible Sewage Pump



**WQ**

### Performance Range

Max. Flow: 400m<sup>3</sup>/h

Max. Head: 46m

### Application Limits

- ◎ Maximum liquid temperature +40°C
- ◎ pH level from 4-10
- ◎ Maximum liquid density 1.2×10<sup>3</sup> kg/m<sup>3</sup>
- ◎ Voltage fluctuation range ± 10%
- ◎ Immersion depth from 0.5m-5m

### Certificate



### Application Fields

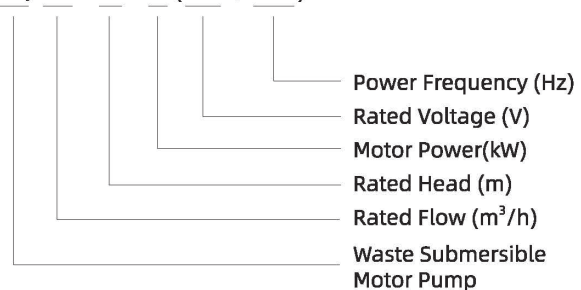
WQ(Single stage with high power) series pumps are widely applied in industry, agriculture, mining, construction, municipal, environmental protection, etc. They are suitable for draining water containing particles such as short fibers, paper scraps, etc. and soft solid, such as muddy water, dirty water, domestic wastewater, sewage, manure, etc. They are ideal equipment for agricultural irrigation and drainage, pool silt cleaning and site construction, but do not apply to the location with explosion-proof requirements.

### Features

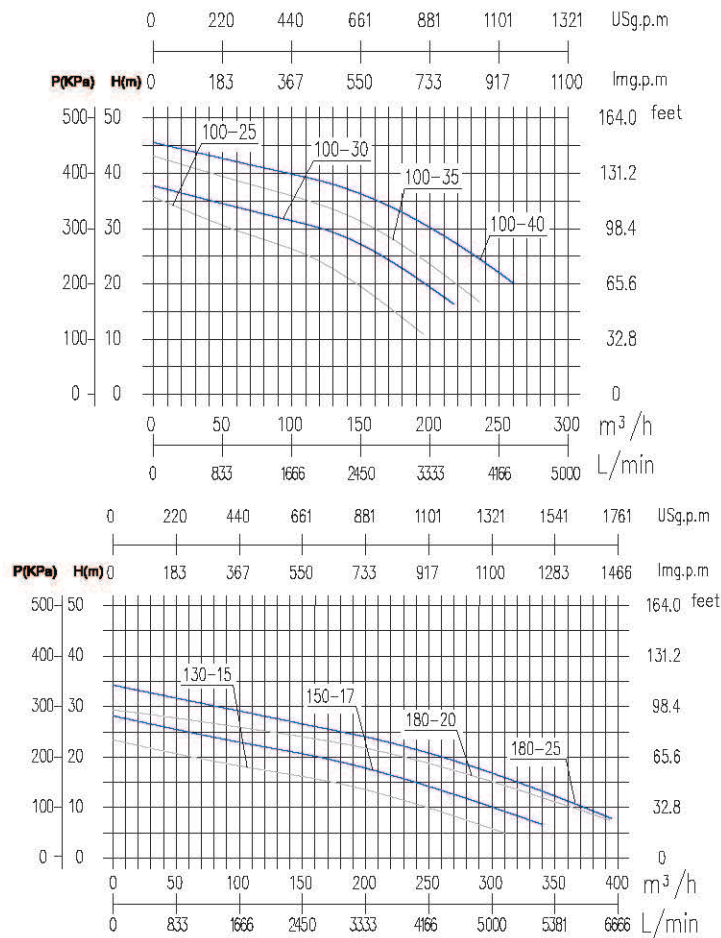
- ◎ Large power submersible sewage pump, the standard flange outlet.
- ◎ Double channel impeller, good flowing capacity, excellent hydraulic performance.
- ◎ Stainless steel shaft extension and carbide double sides mechanical sealing.

### Model Instruction

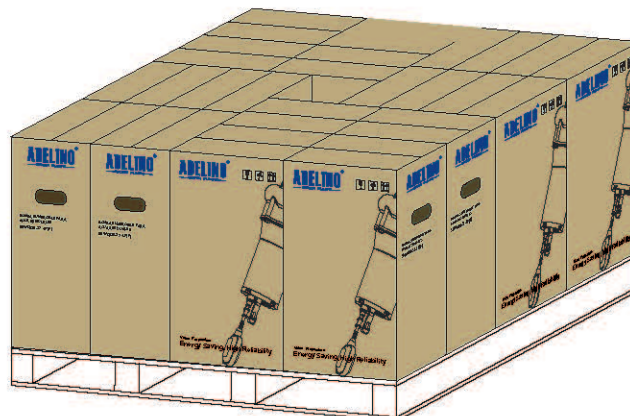
WQ 100 - 25 - 15 (220V / 60Hz)



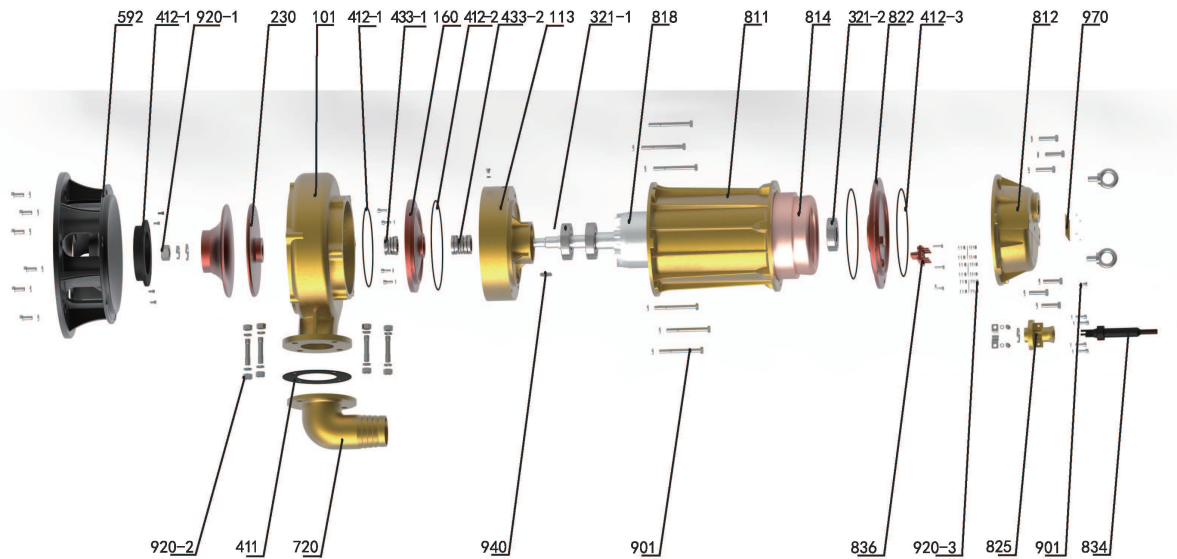
**Performance Curve**



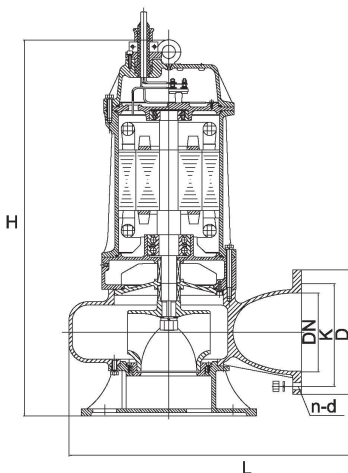
Model	Power		Rate Current (A)	Solids Passage (mm)	Max. Flow (m³/h)	Max. Head (m)	Head Range (m)	Cable line (m)	Dim.mm (LxBxH)	G.W. (kg)	20' Loading Qty. (pcs)
	kW	HP									
WQ130-15-11(220V/60Hz)	11	15	41	45	310	22	0~22	3x10+1x6-8	600x500x1290	271	36
WQ100-25-15(220V/60Hz)	15	20	55	35	195	30	15~30	3x10+1x6-8	650x560x1230	268	36
WQ150-17-15(220V/60Hz)	15	20	55	45	310	28	0~28	3x10+1x6-8	600x500x1290	268	36
WQ100-30-18.5(220V/60Hz)	18.5	25	65	35	215	37	0~37	4x16-8	690x560x1230	365	27
WQ100-35-22(220V/60Hz)	22	30	77	35	235	42	20~42	4x16-8	690x600x1300	383	27
WQ180-20-22(220V/60Hz)	22	30	77	45	390	28	0~28	4x16-8	690x570x1350	400	27
WQ100-40-30(220V/60Hz)	30	40	105	35	260	44	25~44	4x25-8	690x600x1300	427	27
WQ180-25-30(220V/60Hz)	30	40	105	45	390	34	0~34	4x25-8	690x570x1350	417	27



## Components & Materials



No.	Part name	No.	Part name	No.	Part name
101	Pump body	433-1	Mechanical seal	834	Cable sheath
160	Oil chamber cover	433-2	Mechanical seal	836	Terminal block
113	Oil chamber	502	Seal ring	901	Hexagon head bolt M12x125
230	Impeller	592	Base	920-1	Hexagon nut - Style 1
321-1	Deep groove ball bearing	720	Outlet joint	920-2	Hexagon nut - Style 1
321-2	Deep groove ball bearing	811	Casing	920-3	Hexagon nut - Style 1
411	Rubber washer	812	Head cover	940	Flat key
412-1	O-ring	814	Stator core with winding	970	Nameplate
412-2	O-ring	818	Rotor	752-1	Check valve seat
412-3	O-ring	822	Upper bearing block		
412-4	O-ring	825	Cable pressing plate		



## Dimensions & Weight

Model	Dim.(mm)							N.W. (kg)
	N' STAGES	L	H	DN	D	K	n-d	
WQ130-15-11(220V/60Hz)	1	575	1030	150	280	241.5	8-Φ19	256
WQ100-25-15(220V/60Hz)	1	550	1030	100	229	190.5	8-Φ19	253
WQ150-17-15(220V/60Hz)	1	525	1030	150	280	241.5	8-Φ19	253
WQ100-30-18.5(220V/60Hz)	1	615	1110	100	229	190.5	8-Φ19	350
WQ100-35-22(220V/60Hz)	1	615	1100	100	229	190.5	8-Φ19	368
WQ180-20-22(220V/60Hz)	1	580	1110	150	280	241.5	8-Φ19	386
WQ100-40-30(220V/60Hz)	1	615	1235	100	229	190.5	8-Φ19	412
WQ180-25-30(220V/60Hz)	1	580	1245	150	280	241.5	8-Φ19	402