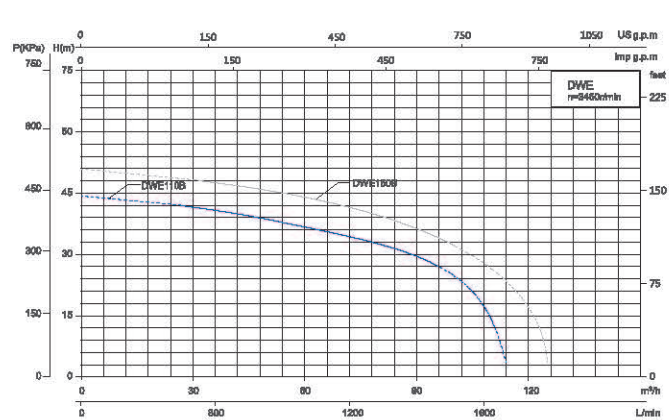
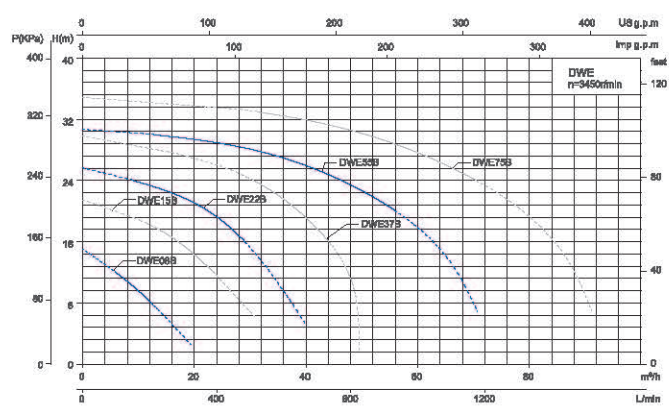
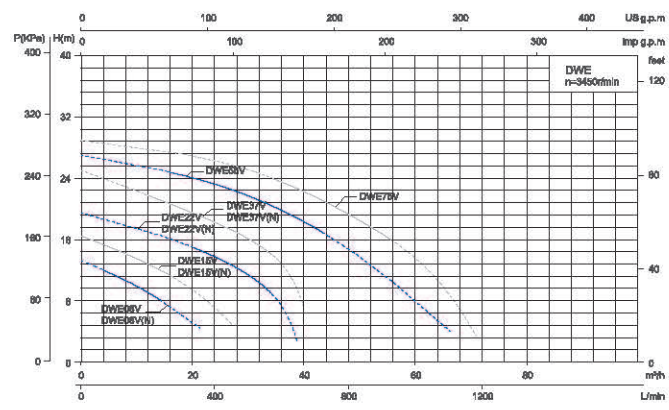
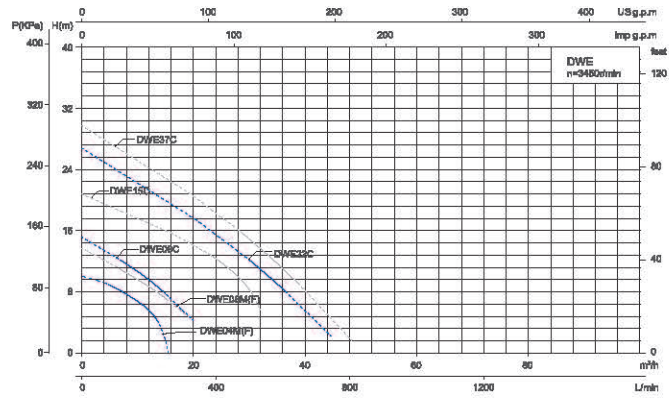
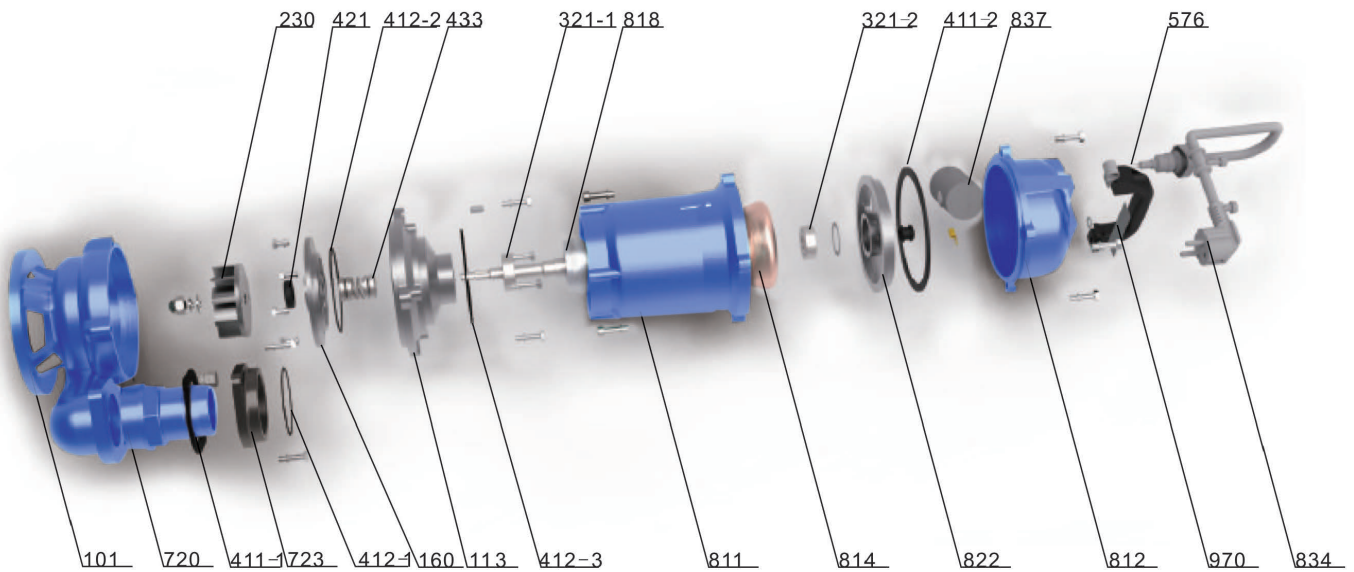


Performance Curve



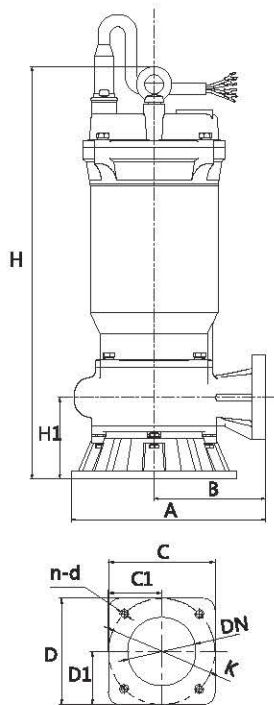
Components & Materials



No.	Part name	No.	Part name	No.	Part name
101	Pump body	412-1	O-ring	811	Casing
113	Oil chamber	412-2	O-ring	812	Head cover
160	Oil chamber cover	412-3	O-ring	814	Stator core with winding
230	Impeller	421	Framework oil seal	818	Rotor
321-1	Deep groove ball bearing	433	Mechanical seal	822	Upper bearing block
321-2	Deep groove ball bearing	576	Handle	834	Cable sheath
411-1	Rubber washer	720	Outlet joint	837	Running capacitor
411-2	Rubber washer	723	Flange	970	Nameplate

Model	Power		Rate Current (A)	Max. Flow (m ³ /h)	Max. Head (m)	Head Range (m)	Cable line (m)	Dim. mm (LxBxH)	G.W. (kg)	20' Loading Qty. (pcs)
	kW	HP								
DWE-04M	0.400	0.50	3.1	15.0	10.0	5 ~ 9	3x0.75-6	445x205x260	17.5	1181
DWE-04MF	0.400	0.50	3.1	15.0	10.0	5 ~ 9	3x0.75-6	445x205x260	18.0	1181
DWE-04M(120V/60Hz)	0.400	0.50	5.7	15.0	10.0	5 ~ 9	3x0.75-6	445x205x260	17.5	1181
DWE-08M	0.750	1.00	5.2	19.0	14.0	7 ~ 11	3x1-6	510x205x225	28.5	1190
DWE-08MF	0.750	1.00	5.2	19.0	14.0	7 ~ 11	3x1-6	510x205x225	29.0	1190
DWE-08B	0.750	1.00	2	19.0	15.0	8 ~ 12	4x1.5-6	500x255x280	28.0	784
DWE-08C	0.750	1.00	2	18.0	15.0	8 ~ 12	4x1.5-6	500x255x280	28.0	784
DWE-08V	0.750	1.00	2	21.0	13.0	8 ~ 12	4x1.5-6	450x215x255	25.0	1135
DWE-15B	1.500	2.20	3.6	29.0	22.0	12 ~ 18	4x1.5-6	525x255x280	32.0	747
DWE-15B(220V/60Hz)	1.500	2.20	6.3	29.0	22.0	12 ~ 18	4x1.5-6	525x255x285	32.0	734
DWE-15B(220V/440V/60Hz)	1.500	2.20	6.3/3.1	29.0	22.0	12 ~ 18	4x1.5-6	525x255x280	32.0	747
DWE-15C	1.500	2.20	3.6	30.0	18.0	8 ~ 12	4x1.5-6	525x255x280	32.0	747
DWE-15V	1.500	2.20	3.6	27.0	17.0	11 ~ 17	4x1.5-6	475x215x255	29.0	1075
DWE-22B	2.200	3.00	5.1	39.0	26.0	16 ~ 24	4x2.5-6	1030x1118x640	43.0	38
DWE-22V	2.200	3.00	5.1	38.0	19.0	9 ~ 15	4x2.5-6	1010x900x645	42.0	48
DWE-22C	2.200	3.00	5.1	44.0	26.0	8 ~ 12	4x2.5-6	1030x1118x640	43.0	38
DWE-37B	3.700	5.00	8.2	48.0	30.0	16 ~ 24	4x2.5-6	1030x1118x640	47.0	38
DWE-37V	3.700	5.00	8.2	40.0	25.0	14 ~ 22	4x2.5-6	1010x900x645	47.0	48
DWE-37C	3.700	5.00	8.2	49.0	29.0	9 ~ 15	4x2.5-6	1030x1118x640	47.0	38
DWE-55B	5.500	7.50	11.7	74.0	30.0	20 ~ 30	3x6+1x4-6	945x862x860	71.0	40
DWE-55V	5.500	7.50	11.7	65.0	25.0	17 ~ 25	3x6+1x4-6	945x862x860	81.0	40
DWE-75B	7.500	10.00	15.7	90.0	33.0	24 ~ 33	3x6+1x4-6	945x862x860	75.0	40
DWE-75V	7.500	10.00	15.7	70.0	28.0	16 ~ 24	3x6+1x4-6	945x862x860	85.0	40
DWE-110B	11.000	15.00	22.9	100.0	43.0	28 ~ 42	7x4-6	910x405x480	141.0	158
DWE-150B	15.000	20.00	30.8	110.0	53.0	32 ~ 48	7x4-6	910x405x480	148.0	158
DWE-08V(N)	0.750	1.00	2	21.0	13.0	8 ~ 12	4x1.5-6	450x215x255	24.0	1135
DWE-15V(N)	1.500	2.20	3.6	27.0	17.0	11 ~ 17	4x1.5-6	475x215x255	27.0	1075
DWE-22V(N)	2.200	3.00	5.1	38.0	19.0	9 ~ 15	4x2.5-6	755x230x285	41.0	566
DWE-37V(N)	3.700	5.00	8.2	40.0	25.0	14 ~ 22	4x2.5-6	785x230x300	46.0	517

Dimensions & Weight



Model	Dim. (mm)			N.W. (kg)
	A	B	DN	
DWE-04M	233	374	50	15.5
DWE-04MF	233	374	50	16.0
DWE-04M(120V/60Hz)	233	374	50	15.5
DWE-08M	195	472	50	26.5
DWE-08MF	195	472	50	26.5
DWE-08B	251	438	60	26.0
DWE-08C	251	436	60	26.0
DWE-08V	219	408	50	23.0
DWE-15B	251	464	60	30.0
DWE-15B(220V/60Hz)	251	464	60	30.0
DWE-15B(220V/440V/60Hz)	251	464	60	30.0
DWE-15C	251	462	60	30.0
DWE-15V	219	434	50	27.0
DWE-22B	246	490	65	38.0
DWE-22V	246	488	75	37.0
DWE-22C	246	492	65	38.0
DWE-37B	246	520	65	42.0
DWE-37V	225	522	75	41.0
DWE-37C	246	518	65	42.0
DWE-55B	288	612	80	64.0
DWE-55V	288	643	90	74.0
DWE-75B	288	667	90	68.0
DWE-75V	288	708	90	78.0
DWE-110B	380	753	100	133.0
DWE-150B	380	751	100	140.0
DWE-08V(N)	259	408	NPT2	22.0
DWE-15V(N)	259	434	NPT2	25.0
DWE-22V(N)	326	488	NPT3	39.0
DWE-37V(N)	326	522	NPT3	44.0