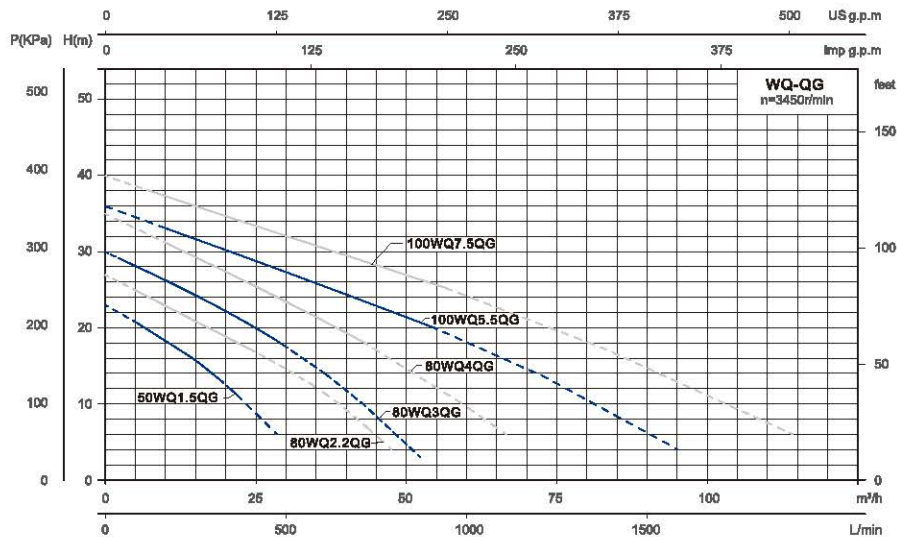


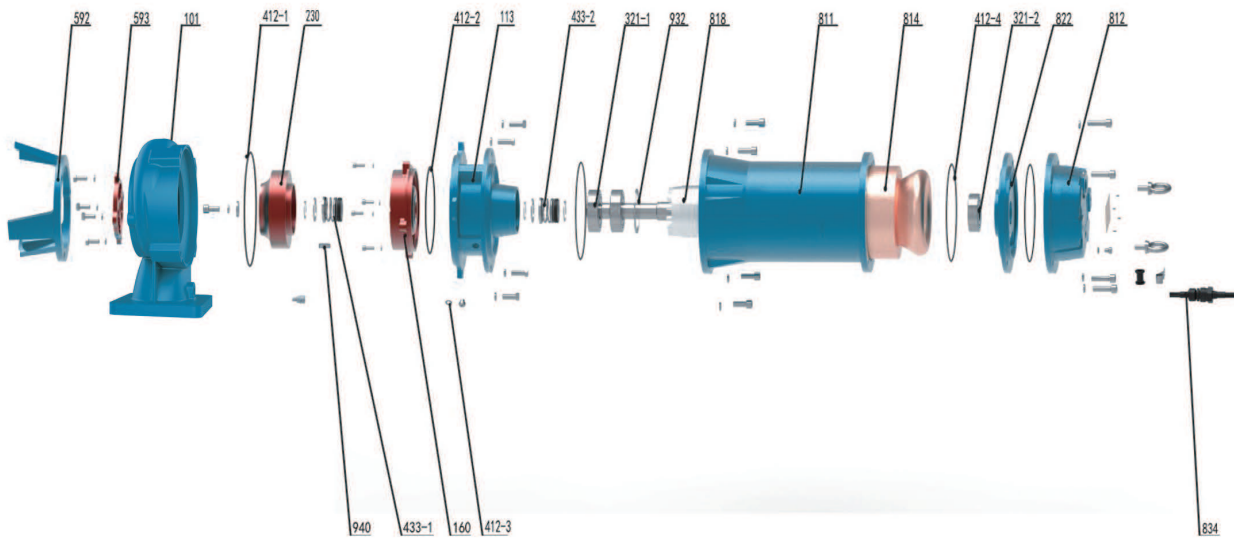
Performance Curve



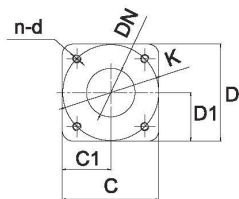
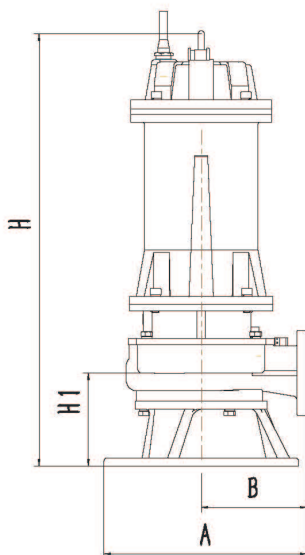
Model	Power		Rate Current (A)	Max. Flow (m³/h)	Max. Head (m)	Head Range (m)	Cable line (m)	Dim. mm (LxBxH)	G.W. (kg)	20' Loading Qty. (pcs)
	kW	HP								
50WQ1.5QG(380V/60Hz)	1.5	2	3.6	35	24	13-21	4x0.75-8	270x300x610	36	550
80WQ2.2QG(380V/60Hz)	2.2	3	5.1	60	27	17-25	4x0.75-8	270x330x610	40	500
80WQ3QG(380V/60Hz)	3	4	6.7	65	30	18-29	4x1-8	270x330x630	42	480
80WQ4QG(380V/60Hz)	4	5.5	8.8	80	31	18-31	3x1.5+1x1-8	270x345x690	54	420
100WQ5.5QG(380V/60Hz)	5.5	7.5	11.7	110	35	20-33	3x1.5+1x1-8	270x345x750	61	385
100WQ7.5QG(380V/60Hz)	7.5	10	15.7	125	38	25-38	3x2.5+1x1.5-8	285x360x750	83	350



Components & Materials



No.	Part name	No.	Part name	No.	Part name
101	Casing	412-4	O-ring	822	Upper bearing housing
113	Oil chamber	433-1	Mechanical seal	834	Cable sheath
160	Oil chamber cover	433-2	Mechanical seal	932	Circlips for holes
230	Impeller	592	Base	940	Flat key
321-1	Deep groove ball bearing high temperature	593	Cutting disc		
321-2	Deep groove ball bearing	812	Enclosure		
412-1	O-ring	812	Top cover		
412-2	O-ring	814	Stator core with winding		
412-3	O-ring	818	Rotor		



Dimensions & Weight

Model	Dim.(mm)											N.W. (kg)
	H	H1	A	B	DN	K	C	C1	D	D1	n-d	
50WQ1.5QG(380V/60Hv)	537	115	250	130	50	106	105	52.5	105	52.5	4-M10	34
80WQ2.2QG(380V/60Hv)	532	109	280	160	65	124.5	125	62.5	125	62.5	4-M10	38
80WQ3QG(380V/60Hv)	552	109	280	160	65	124.5	125	62.5	125	62.5	4-M10	40
80WQ4QG(380V/60Hv)	617	128	300	180	65	124.5	125	62.5	125	62.5	4-M10	52
100WQ5.5QG(380V/60Hv)	651	118	300	180	80	163	163	81.5	163	81.5	4-M12	58
100WQ7.5QG(380V/60Hv)	675	131	312.5	190	100	163	163	81.5	163	81.5	4-M12	80

Submersible Pumps For Dirty Water



SEP

Performance Range

Max. Flow: 33m³/h

Max. Head: 10m

Application Limits

- ⊙ Domestic/Apartment building/Hotel waste water system
- ⊙ Residential groundwater drainage
- ⊙ Garden, farmland water supply
- ⊙ Other use for family water supply

Certificate



Operation Condition

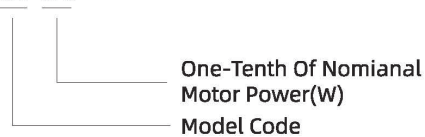
- ⊙ Depth Max: 5m(16.5ft)
- ⊙ Liquid temperature range: -40~40°C
- ⊙ PH range: 6.5-8.5

Product Usage

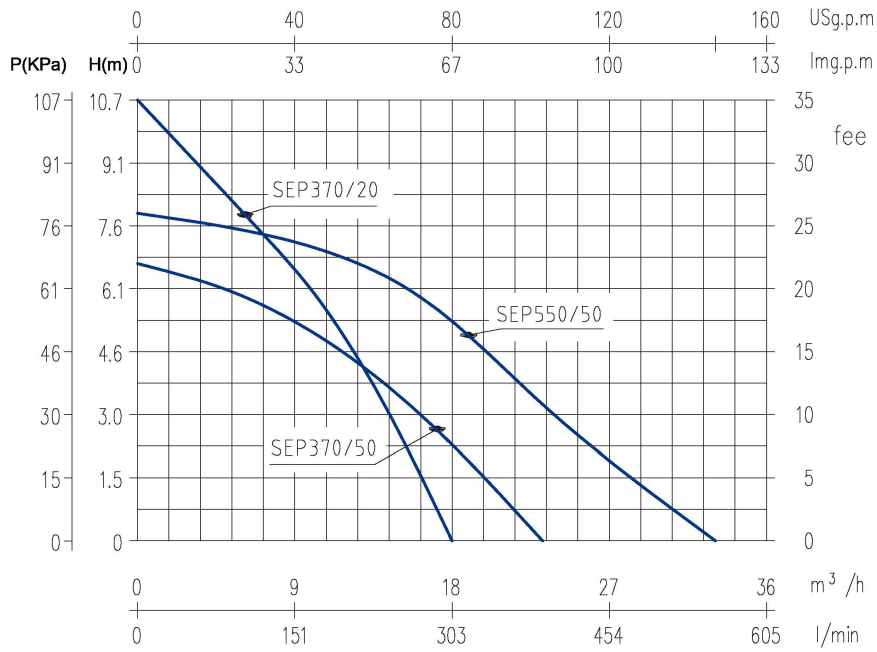
- ⊙ PSC Oil-filled motor with thermal overload protection
- ⊙ Insulation: Class B
- ⊙ Protection: IP68
- ⊙ 10' power cord
- ⊙ Automatic operation with float switch
- ⊙ 2" NPT Outlet
- ⊙ Solids waste up to 2"

Model Instruction

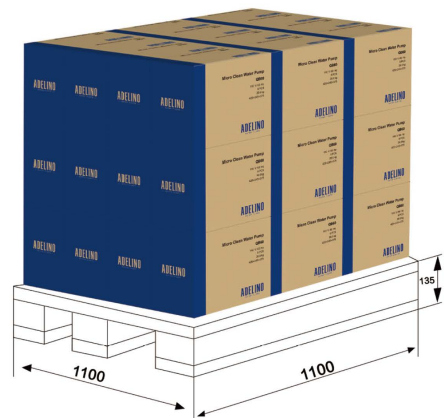
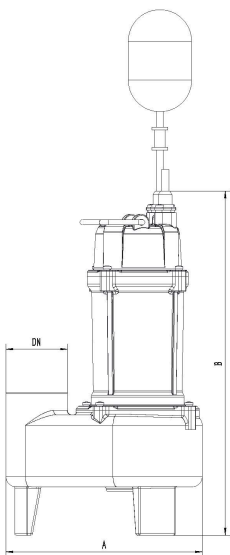
SEP 370



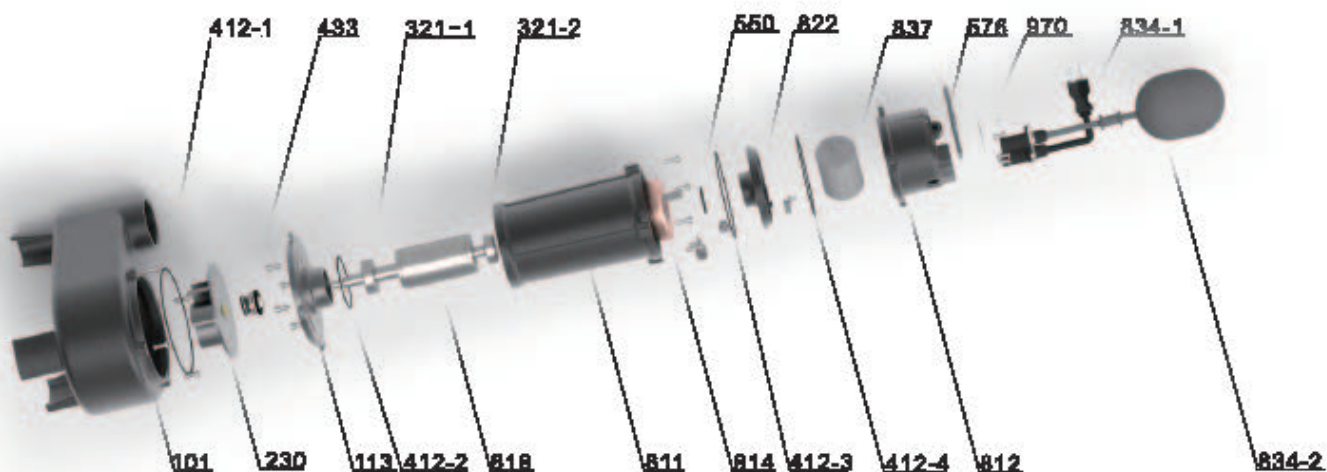
Performance Curve



Model	Power		Rate Current (A)	Rotating speed	Max. Flow (m³/h)	Max. Head (m)	Discharge (NPT)	Cable line (m)	Dim.mm (LxBxH)	G.W. (kg)	20' Loading Qty. (pcs)
	kW	HP									
SEP370/20	0.37	1/2	7.2	3450	18	10	2"	SJTW 18AWGx3-3	235*165*390	11.5	1800
SEP370/50	0.37	1/2	7.2	3450	23	6	2"	SJTW 18AWGx3-3	230*165*445	13	1600
SEP550/50	0.55	3/4	9.9	3450	33	8	2"	SJTW 16AWGx3-5	270*195*485	17	1040



Components & Materials



No.	Part name	No.	Part name	No.	Part name
101	Pump body	412-3	O-ring	814	Stator core with winding
113	Lower bearing block	412-4	O-ring	818	Rotor
230	Impeller	433	Mechanical seal	822	Upper bearing block
321-1	Deep groove ball bearing	550	Wave spring	834-1	Cable
321-2	Deep groove ball bearing	576	Handle	834-2	Floating ball
412-1	O-ring	811	Casing	837	Running capacitor
412-2	O-ring	812	Head cover	970	Nameplate