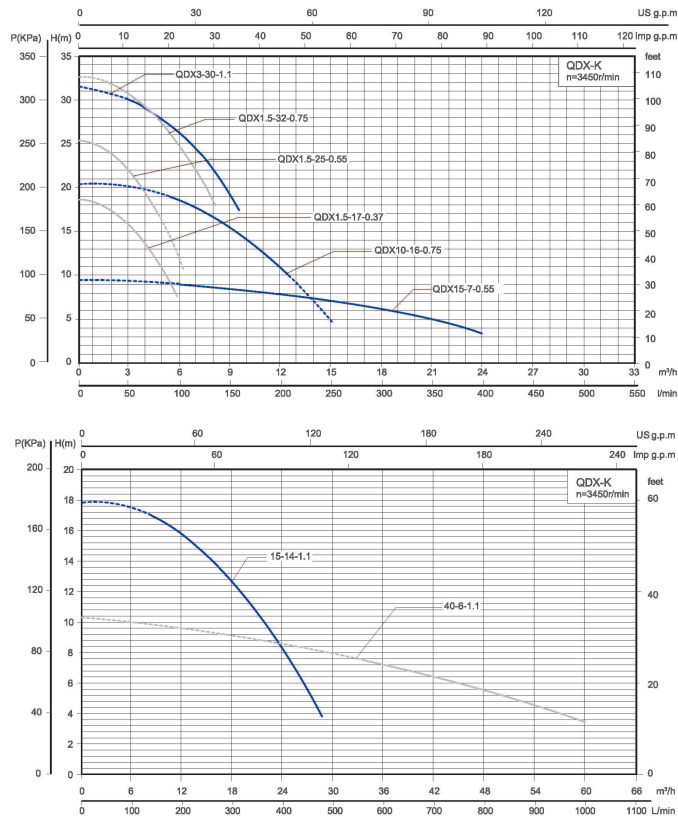
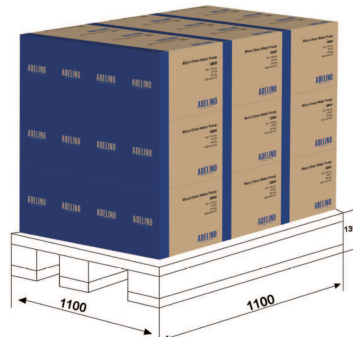


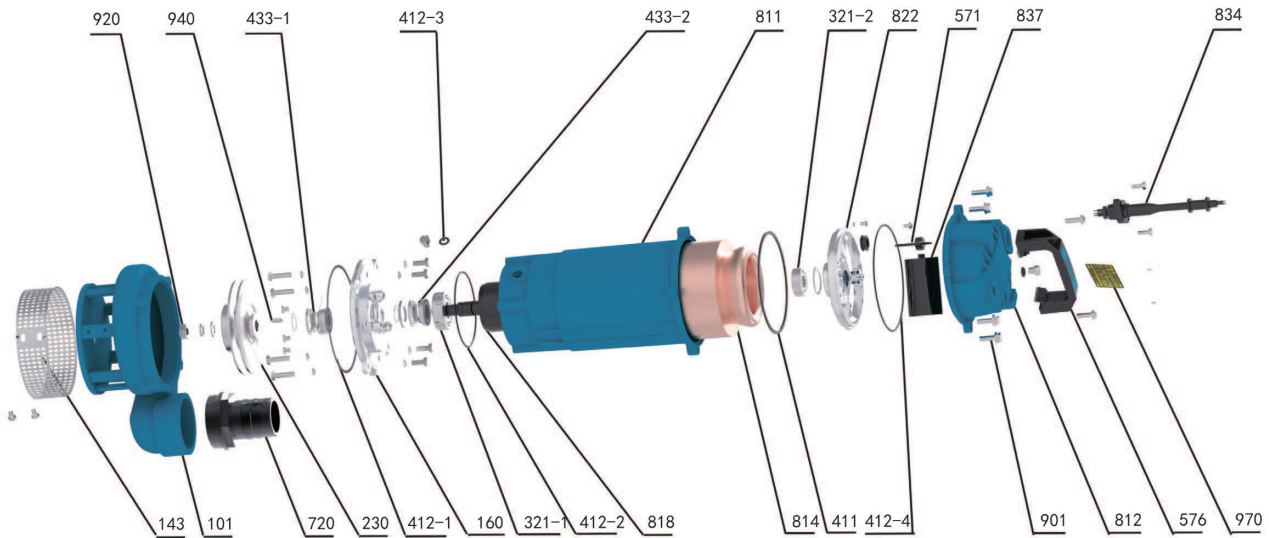
**Performance Curve**



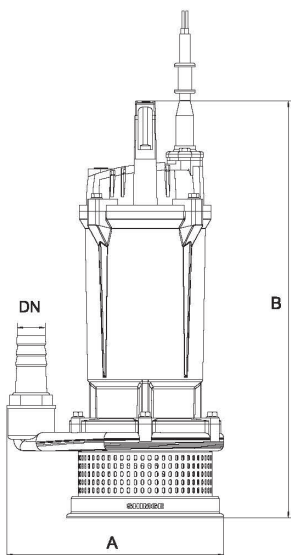
Model	Power		Rate Current (A)	Max. Flow (m³/h)	Max. Head (m)	Head Range (m)	Cable line (m)	Dim.mm (LxBxH)	G.W. (kg)	20' Loading Qty. (pcs)
	kW	HP								
QDX1.5-17-0.37K3(F)(120V/60Hz)	0.370	0.50	5.3	7.5	18.0	7 ~ 18	3x0.75-8	380x180x200	8.5	2047
QDX1.5-17-0.37K3(F)(220V/60Hz)	0.370	0.50	2.9	7.5	18.0	7 ~ 18	3x0.75-8	380x180x200	8.5	2047
QDX1.5-25-0.55K3(F)(120V/60Hz)	0.550	0.75	7.5	5.5	26.0	15 ~ 26	3x1-8	395x195x220	11.0	1652
QDX1.5-25-0.55K3(F)(220V/60Hz)	0.550	0.75	4.1	5.5	26.0	15 ~ 26	3x0.75-8	395x195x220	11.0	1652
QDX3-18-0.55K3(F)(120V/60Hz)	0.550	0.75	7.5	8.0	21.0	5 ~ 21	3x1-8	410x210x220	11.0	1478
QDX3-18-0.55K3(F)(220V/60Hz)	0.550	0.75	4.1	8.0	21.0	5 ~ 21	3x0.75-8	410x210x220	11.5	1478
QDX15-7-0.55K3(F)(120V/60Hz)	0.550	0.75	7.5	25.0	9.0	3 ~ 9	3x1-8	410x210x220	12.0	1478
QDX15-7-0.55K3(F)(220V/60Hz)	0.550	0.75	4.1	25.0	9.0	3 ~ 9	3x0.75-8	410x210x220	12.0	1478
QDX1.5-32-0.75K3(F)(120V/60Hz)	0.750	1.00	9.6	6.5	34.0	12 ~ 33	3x1.5-8	420x195x230	13.0	1486
QDX1.5-32-0.75K3(F)(220V/60Hz)	0.750	1.00	5.2	6.5	34.0	12 ~ 33	3x0.75-8	420x195x230	13.0	1486
QDX8-18-0.75K3(F)(120V/60Hz)	0.750	1.00	9.6	16.0	20.0	15 ~ 19	3x1.5-8	420x195x230	13.5	1486
QDX8-18-0.75K3(F)(220V/60Hz)	0.750	1.00	5.2	16.0	20.0	15 ~ 19	3x0.75-8	420x195x230	13.5	1486
QDX10-16-0.75K3(F)(120V/60Hz)	0.750	1.00	9.6	19.0	20.0	10 ~ 19	3x1.5-8	420x195x230	13.5	1486
QDX10-16-0.75K3(F)(220V/60Hz)	0.750	1.00	5.2	19.0	20.0	10 ~ 19	3x0.75-8	420x195x230	13.5	1486
QDX3-30-1.1K3(F)(220V/60Hz)	1.100	1.50	7.3	10.0	33.0	18 ~ 32	3x1-8	455x285x225	15.0	960
QDX15-14-1.1K3(F)(220V/60Hz)	1.100	1.50	7.3	29.0	16.5	9 ~ 16	3x1-8	470x285x225	18.5	929
QDX40-7-1.1K3(F)(220V/60Hz)	1.100	1.50	7.3	53.0	11.0	2 ~ 11	3x1-8	490x285x225	17.0	891



## Components & Materials



No.	Part name	No.	Part name
101	Pump body	576	Handle
143	Net cover	720	Outlet joint
160	Oil chamber cover	811	Casing
230	Impeller	812	Head cover
321-1	Deep groove ball bearing	814	Stator core with winding
321-2	Deep groove ball bearing	818	Rotor
411	Rubber washer	822	Upper bearing block
412-1	O-ring	834	Cable sheath
412-2	O-ring	837	Capacitor
412-3	O-ring	901	Hexagon flange bolt
412-4	O-ring	920	Hexagon nut - Style 1
433-1	Mechanical seal	940	Ordinary flat key
433-2	Mechanical seal	970	Nameplate
571	Capacitor fixing ring		



## Dimensions & Weight

Model	Dim.(mm)			N.W. (kg)
	A	B	DN	
QDX1.5-17-0.37K3(F)(120V/60Hz)	190	355	25	8.0
QDX1.5-17-0.37K3(F)(220V/60Hz)	190	355	25	8.0
QDX1.5-25-0.55K3(F)(120V/60Hz)	205	366	25	10.5
QDX1.5-25-0.55K3(F)(220V/60Hz)	205	366	25	10.5
QDX3-18-0.55K3(F)(120V/60Hz)	164	367	32	10.5
QDX3-18-0.55K3(F)(220V/60Hz)	164	367	32	11.0
QDX15-7-0.55K3(F)(120V/60Hz)	236	382	51	11.5
QDX15-7-0.55K3(F)(220V/60Hz)	236	382	51	11.5
QDX1.5-32-0.75K3(F)(120V/60Hz)	214	386	25	12.5
QDX1.5-32-0.75K3(F)(220V/60Hz)	214	386	25	12.5
QDX8-18-0.75K3(F)(120V/60Hz)	229	391	38	13.0
QDX8-18-0.75K3(F)(220V/60Hz)	229	391	38	13.0
QDX10-16-0.75K3(F)(120V/60Hz)	229	391	51	13.0
QDX10-16-0.75K3(F)(220V/60Hz)	229	391	51	13.0
QDX3-30-1.1K3(F)(220V/60Hz)	239	431	25	14.5
QDX15-14-1.1K3(F)(220V/60Hz)	239	441	64	18.0
QDX40-7-1.1K3(F)(220V/60Hz)	266	448	76	16.5