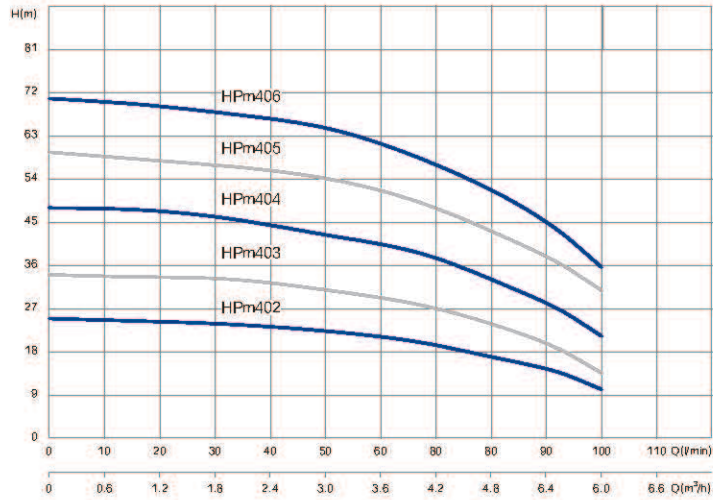
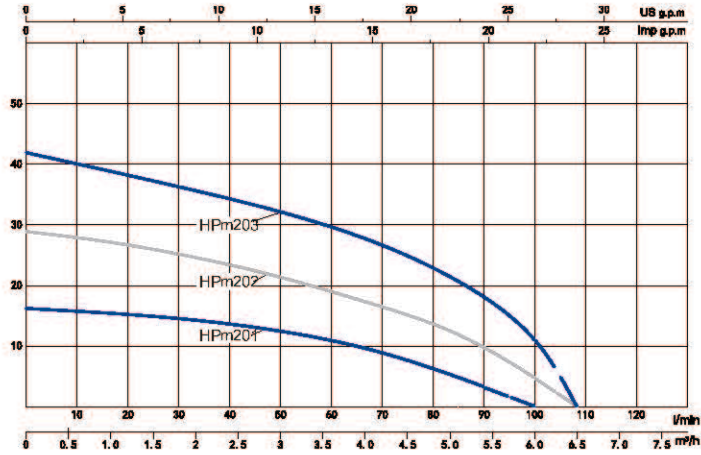
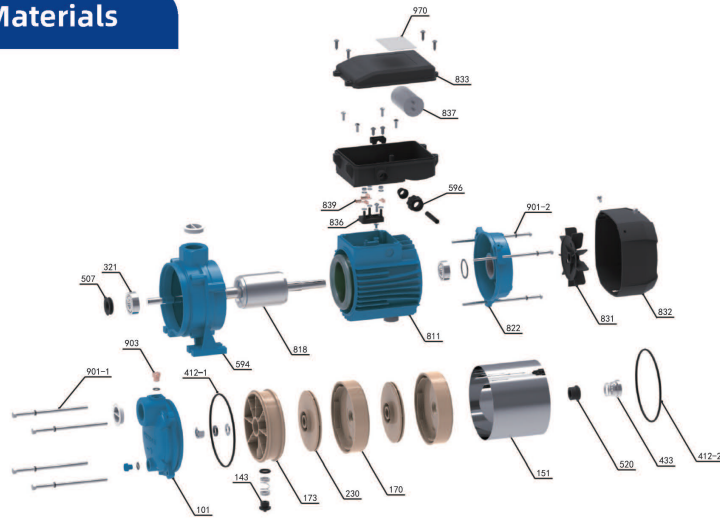


**Performance Curve**



Model	Power		Max. Flow (m <sup>3</sup> /h)	Max. Head (m)	Head Range (m)	Max. Suction (m)
	kW	HP				
HPm201(115V/60HZ)	0.31	0.4	6	16	1 ~ 16	7
HPm202(115V/60HZ)	0.37	0.5	6.5	28	1 ~ 28	7
HPm203(115V/60HZ)	0.55	0.75	6.5	41	1 ~ 41	7
HPm402 (115V/60Hz)	0.75	1	6.5	34	27	8
HPm402 (220V/60Hz)	0.75	1	6.5	34	27	8
HPm403 (115V/60Hz)	1.1	1.5	6.5	50	43	8
HPm403 (220V/60Hz)	1.1	1.5	6.5	50	43	8
HPm404 (220V/60Hz)	1.5	2	6.5	66	58	8

## Components & Materials



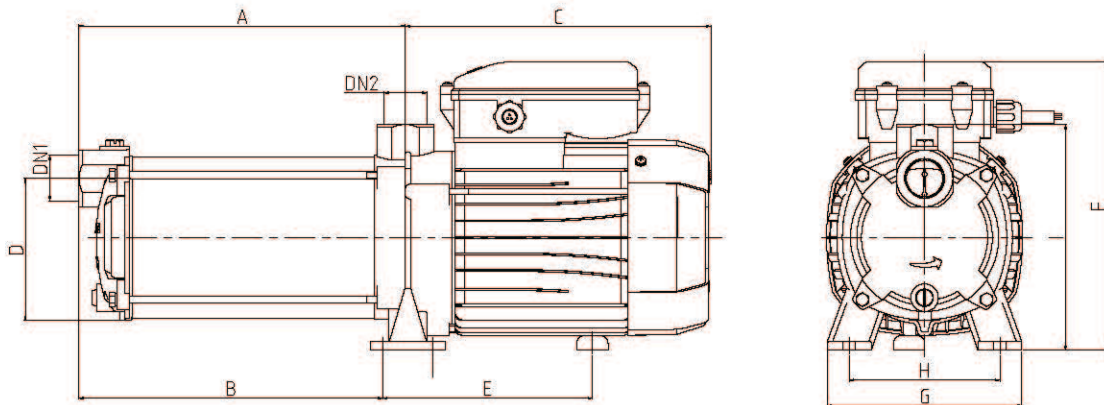
No.	Part name	No.	Part name	No.	Part name
101	Pump body	412-4	O-ring	821	Rotor
157	Ejector	433	Mechanical seal	831	Fan
161	Pump cover	507	Water retaining ring	832	Fan cover
171	Guide vane	553	Rear end cover	833	Control box assembly
230	Impeller	562	Foot	834	Cable
321	Deep groove ball bearing	594	Connector body	900-1	vent cock
410	Rubber washer	596	Cable lock	900-2	Type I hexagon nut
412-1	O-ring	597	Capacitor	951	Wave spring
412-2	O-ring	621	Wiring terminal	961	Dust cover
412-3	O-ring	813	Stator	900-3	Hexagon head bolt
505	Jump ring				

Model	HPm201(115V/60Hz)	HPm202(115V/60Hz)	HPm203(115V/60Hz)
Capacitor(μF)	20μF/250V	20μF/250V	50μF/250V
End cap Bearing	6201-2RZ	6201-2RZ	6201-2RZ
Connection Part Bearing	6201-2RZ	6201-2RZ	6201-2RZ
Motor Shaft	420#		
Mechanical Seal	108-12/21 B:A(PC) A:Graphite,K:Impregnated resin sintered graphite,W:;Tungsten carbide,B:Alumina ceramics,F:Fluorine rubber,P:NBR,E:Ethylene propylene rubber, T:Plating Manganese steel with chromium,C:Stainless steel(06Cr19Ni10),H:brass		
Chassis	Aluminium		
Connecting fittings	Cast Iron		
Pump cylinder	12Cr17Mn6Ni5N(201)		
Impeller	PPO+GF30		
Inlet housing	Cast Iron		

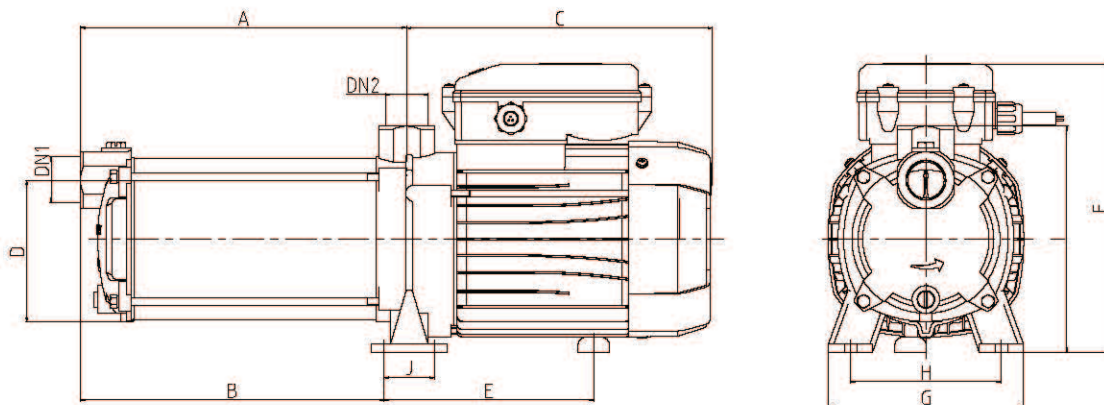
Model	HPm402 (115V-60Hz)	HPm402 (220V-60Hz)	HPm403 (115V-60Hz)	HPm403 (220V-60Hz)	HPm404 (220V-60Hz)
Capacitor	AC40μF\250V	AC20μF\450V	AC80μF\250V	AC30μF\450V	AC40μF\450V
End cap Bearing	6202-2RZ	6202-2RZ	6204-2RZ	6204-2RZ	6204-2RZ
Connection Part Bearing	6203-2RZ	6203-2RZ	6204-2RZ	6204-2RZ	6204-2RZ
Motor Shaft	420#	420#	45#+304#	45#+304#	45#+304#
Mechanical Seal	108-16/25&S:A(PC) &Static ring30	108-16/25&S:A(PC) &Static ring30	108-16/25&S:A(PC) &Static ring30	108-16/25&S:A(PC) &Static ring30	108-16/25&S:A(PC) &Static ring30
Motor Case	Aluminum shell	Aluminum shell	Aluminum shell	Aluminum shell	Aluminum shell
Coupling	cast iron	cast iron	cast iron	cast iron	cast iron
Pump Body	304	304	304	304	304
Impeller	plastic	plastic	plastic	plastic	plastic

## Dimensions & Weight

Model	DN1	DN2	Dim.(mm)									N.W. (kg)
	Inch		A	B	C	D	E	F	G	H	I	
HPm201	1	1	135	184.5	212	110	74	170	140	102	150.5	7.5
HPm202	1	1	161	210.5	212	110	74	170	140	102	150.5	8.5
HPm203	1	1	187	236.5	212	110	74	170	140	102	150.5	9.5



Model	DN1	DN2	Dim.(mm)									
	Inch		A	B	C	D	E	F	G	H	I	J
HPm402	G1	G1	171	153	222	113	144	213	155	120	170	40
HPm403	G1	G1	201	177	222	113	144	213	155	120	170	40
HPm404	G1	G1	225	201	222	113	144	213	155	120	170	40



## Packing Size & Weight

Model	Dim.(L×W×H) mm	N.W. (kg)	G.W. (kg)	20'Loading Qty. (pcs)
HPm402 (115V/60Hz)	393×155×213	11.5	12.5	1144
HPm402 (220V/60Hz)	423×155×213	12.0	13.0	1144
HPm403 (115V/60Hz)	447×155×213	15.5	16.5	1056
HPm403 (220V/60Hz)	492×210×233	15.5	16.5	1056
HPm404 (220V/60Hz)	516×210×233	18.0	19.0	968