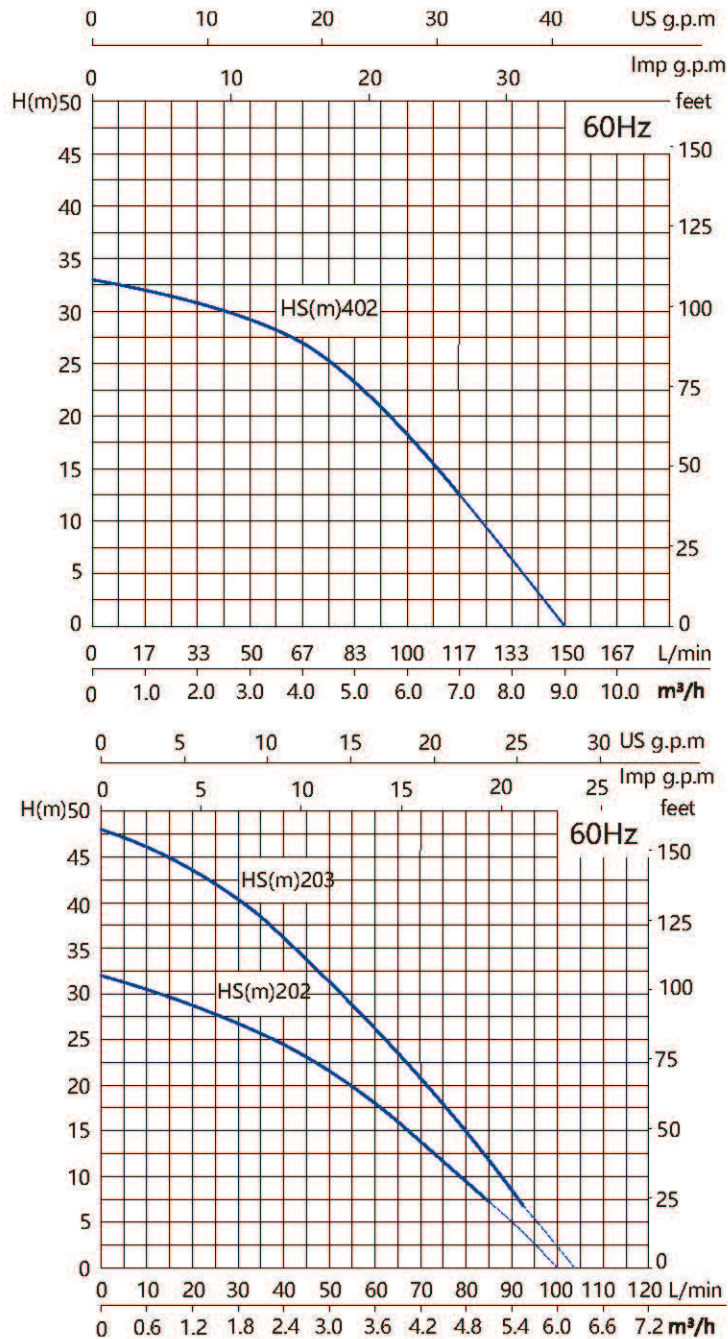


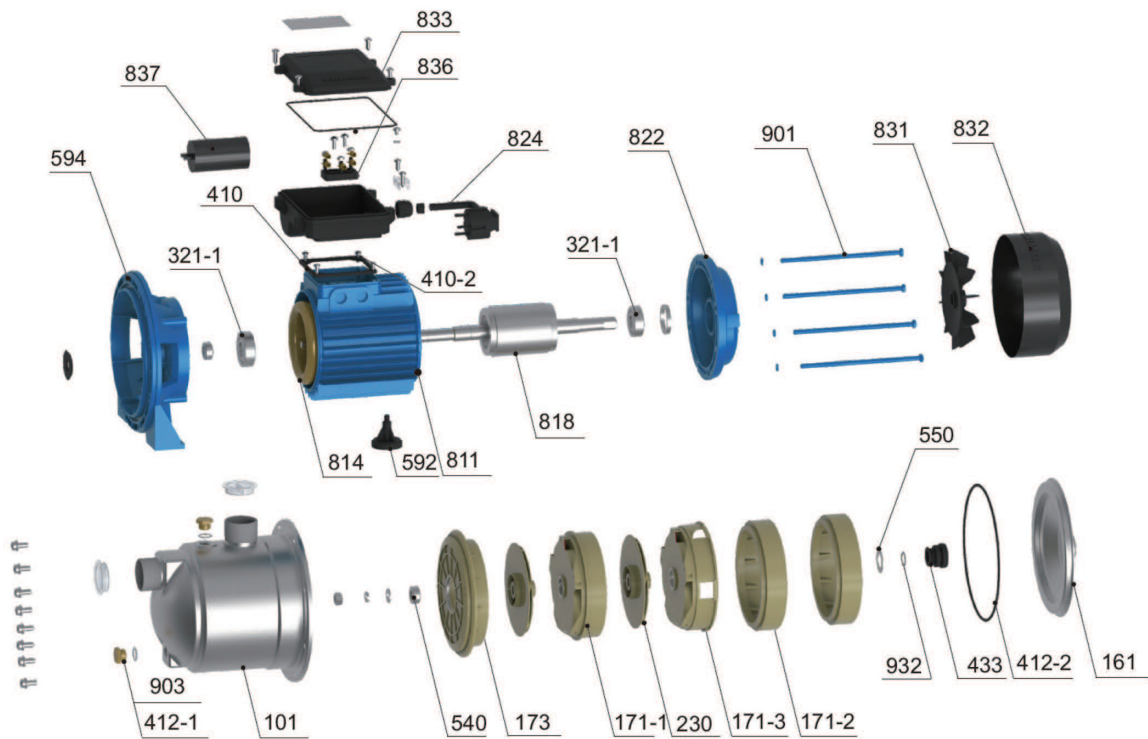
**Performance Curve**



Model		Power		Max. Flow (m³/h)	Max. Head (m)	Head Range (m)	Max. Suction (m)
Single-Phase	Three-Phase	kW	HP				
HSm202(230V-60Hz)	HS202(220V/380V-60Hz)	0.16	0.62	6	32	1~32	7
HSm203(230V-60Hz)	HS203(220V/380V-60Hz)	0.75	1	6.3	48	1~48	7
HSm402(230V-60Hz)	HS402(220V/380V-60Hz)	0.75	1	9	33	1~33	7

NOTE: 0.3m short-term without plug

## Components & Materials

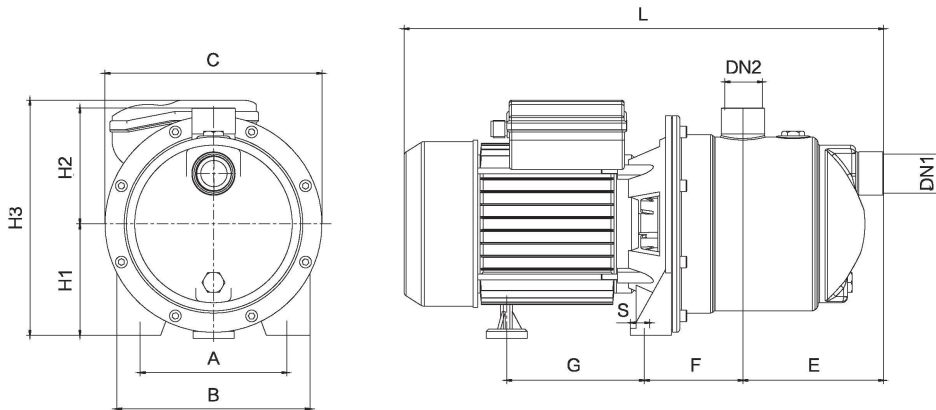


No.	Part name	No.	Part name	No.	Part name
903	Vent cock	836	Wiring terminal \ black triangle	101	Pump body
433	Mechanical seal	818	Rotor	171-3	Rear guide vane
171-1	Guide vane	831	Fan\AP55	410	Rubber gasket
901	Hexagon head bolt	173	Guide vane cover plate	822	Rear end cover
837	Running capacitor	833	Junction box assembly	540	Bushing
171-2	Guide vane washer	412-2	O-ring	832	Fan cover
594	Connector	412-1	O-ring	230	Impeller
811	Casing	321-2	Deep groove ball bearing	410-1	Rubber washer
824	Cable (domestic)	592	Foot	321-1	Deep groove ball bearing
932	Circlip for shaft	161	Pump cover	814	Stator core with winding

Model	HSm203	HSm204	HSm402	HSm403	HSm404	HS203	HS204	HS402	HS403	HS404
Capacitor(μF)	16μF/450V	18μF/450V	16μF/450V	18μF/450V	20μF/450V	/				
End cap Bearing	6202-2RZ									
Connection Part Bearing	6203-2RZ									
Motor Shaft	420#									
Mechanical Seal	108-14/21 S:A(RC)									
	A:Graphite,K:Impregnated resin sintered graphite,W:;Tungsten carbide,B:Alumina ceramics,F:Fluorine rubber,P:NBR, E:Ethylene propylene rubber,T:Plating Manganese steel with chromium,C:Stainless steel(06Cr19Ni10),H:brass S: Reactive Sintered Silicon Carbide,									
Motor Case	Aluminum									
Coupling	Aluminum									
Pump Body	the stainless steel pump body									
Impeller	Plastics PPO+GF30									

## Dimensions & Weight

Model		DN1	DN2	Dim.(mm)									
Single-Phase	Three-Phase	Inch		A	B	E	F	G	L	S	H1	H2	H3
HSm202(230V-60Hz)	HS202(220V/380V-60Hz)	1	1	125	165	185	84	117.5	409	9	95	99	204
HSm203(230V-60Hz)	HS203(220V/380V-60Hz)	1	1	125	165	185	84	117.5	409	9	95	99	204
HSm402(230V-60Hz)	HS402(220V/380V-60Hz)	1	1	125	165	185	84	117.5	409	9	95	99	204



## Packing Size & Weight

Model		Dim.(L×W×H) mm	G.W. (kg)	20'Loading Qty. (pcs)
Single-Phase	Three-Phase			
HSm202(230V-60Hz)	HS202(220V/380V-60Hz)	460×225×255	10.5	1195
HSm203(230V-60Hz)	HS203(220V/380V-60Hz)	460×225×255	11.5	1195
HSm402(230V-60Hz)	HS402(220V/380V-60Hz)	460×225×255	11.5	1195

