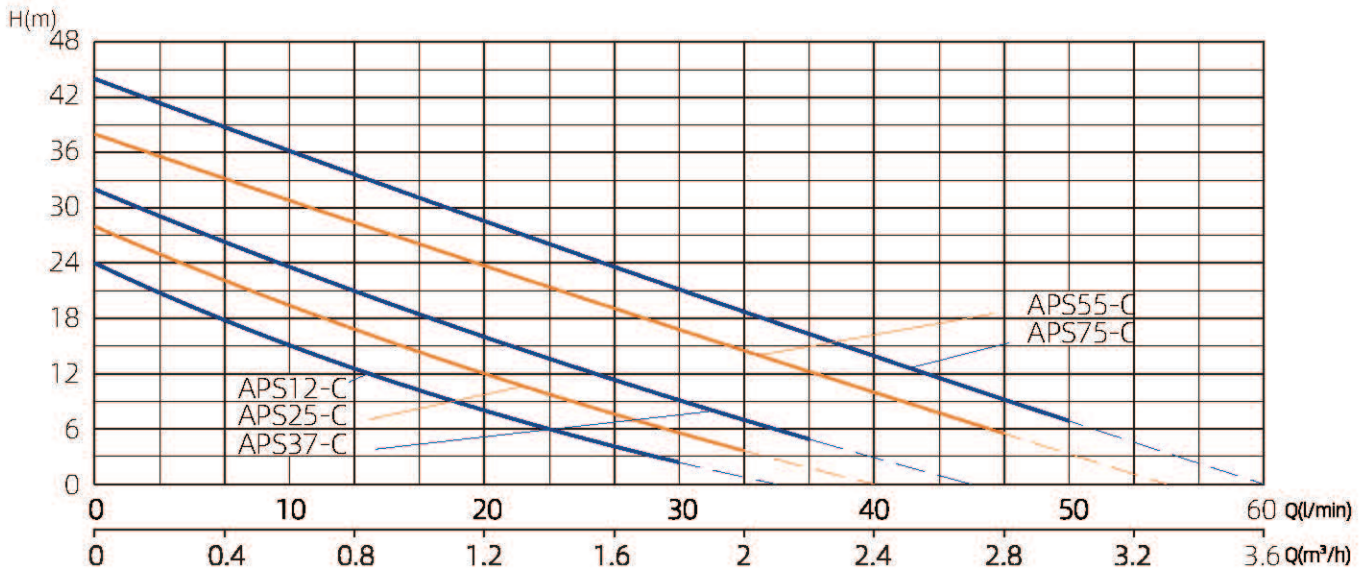


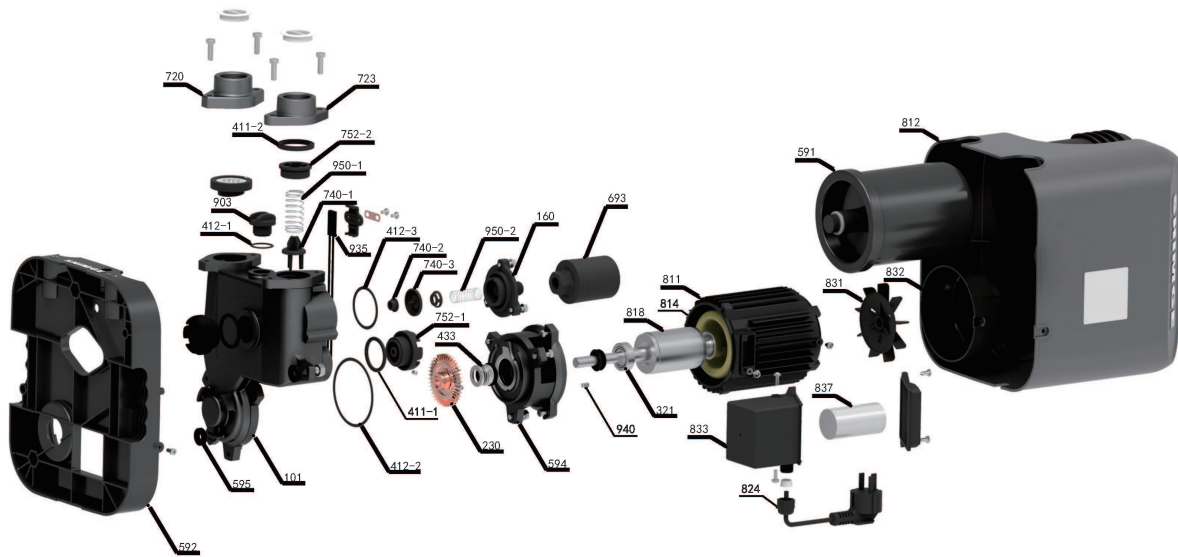
Performance Curve



Model	Power		Max. Flow (m³/h)	Max. Head (m)	Head Range (m)	Max. Suction (m)
	kW	HP				
APS12-C	0.125	0.17	2.1	24	0~20	6
APS25-C	0.25	0.34	2.4	28	0~24	6
APS37-C	0.37	0.5	2.7	32	0~28	6
APS55-C	0.55	0.75	3.3	38	0~34	6
APS75-C	0.75	1	3.6	44	0~40	6

NOTE: 0.3m short-term without plug

Components & Materials

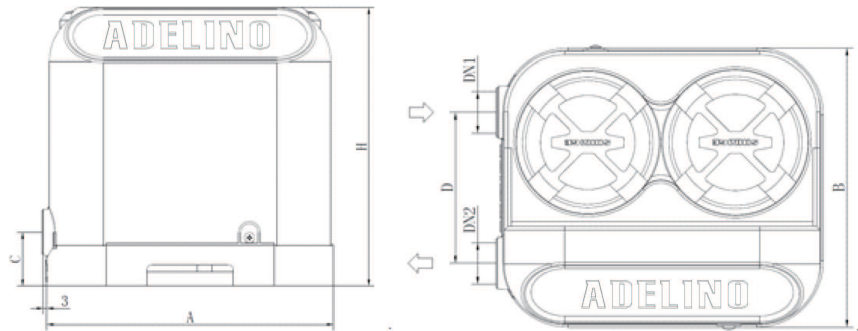


No.	Part name	No.	Part name	No.	Part name
742-1	Valve sleeve	903	Vent cock	101	Pump body
740-2	Diaphragm seat	742-2	Check valve with filter	950-2	Small spring
230	Impeller	740-3	Diaphragm	740-1	Flow stabilizing valve
752-1	Check valve seat	412-3	O-ring	433	Mechanical seal
412-2	O-ring	837	Running capacitor	594	Connector body
824	Cable (domestic)	833	Junction box	935	External thermal protector
723	Inlet pipe	818	Rotor	832	Fan cover
940	Ordinary flat key	812	Outer housing	693	Pressure switch
412-1	O-ring	720	Outlet pipe	591	Pressure tank
752-2	Flow stabilizer Locating sleeve	410	Rubber washer	321	Deep groove ball bearing
950-1	Large spring	160	Flow stabilizer cover	831	Fan\AP37
411	Rubber washer	811	Casing	814	Stator core with winding
592	Base	595	Rubber ring		

Model	APS25-C (115V-60Hz)	APS25-C (220V-60Hz)	APS37-C (115V-60Hz)	APS37-C (220V-60Hz)	APS55-C (115V-60Hz)	APS55-C (220V-60Hz)	APS75-C (115V-60Hz)	APS75-C (220V-60Hz)
Capacitor	AC25μF\250V	AC10μF\450V	AC30μF\250V	AC12μF\450V	AC45μF\250V	AC15μF\450V	AC40μF\250V	AC20μF\450V
End cap Bearing	6201-2RZ	6201-2RZ	6201-2RZ	6201-2RZ	6202-2RZ	6202-2RZ	6202-2RZ	6202-2RZ
Connection Part Bearing	6201-2RZ	6201-2RZ	6201-2RZ	6201-2RZ	6202-2RZ	6202-2RZ	6202-2RZ	6202-2RZ
Motor Shaft	45#+304#	45#+304#	45#+304#	45#+304#	45#+304#	45#+304#	45#+304#	45#+304#
Mechanical Seal	108-12/21&B:A(RC) & Static ring26	108-12/21&B:A(RC) & Static ring26	108-12/21&B:A(RC) & Static ring26	108-12/21&B:A(RC) & Static ring26	108-12/21&B:A(RC) & Static ring26	108-12/21&B:A(RC) & Static ring26	108-12/21&B:A(RC) & Static ring26	108-12/21&B:A(RC) & Static ring26
Motor Case	Aluminum shell	Aluminum shell	Aluminum shell	Aluminum shell	Aluminum shell	Aluminum shell	Aluminum shell	Aluminum shell
Coupling	cast iron	cast iron	cast iron	cast iron	cast iron	cast iron	cast iron	cast iron
Pump Body	cast iron	cast iron	cast iron	cast iron	cast iron	cast iron	cast iron	cast iron
Impeller	copper	copper	copper	copper	copper	copper	copper	copper

Dimensions & Weight

Model	DN1	DN2	Dim.(mm)				
	Inch		A	B	C	D	H
APS12/25/37-C	G1	G1	266	231	50	125	259
APS55/75-C	G1	G1	290	256	470	150	299



Packing Size & Weight

Model	Dim.(L×W×H) mm	N.W. (kg)	G.W. (kg)	20'Loading Qty. (pcs)
PZ125	277×240×268	10.2	10.9	931
PZ250	277×240×268	10.9	11.7	931
PZ370	277×240×268	11.2	12.2	931
PZ550	304×270×298	14.0	15.0	612
PZ750	304×270×298	14.9	15.9	612

