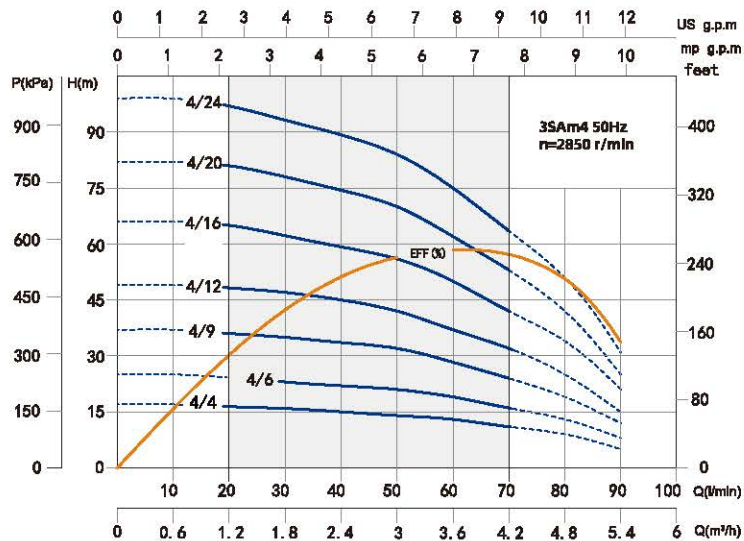
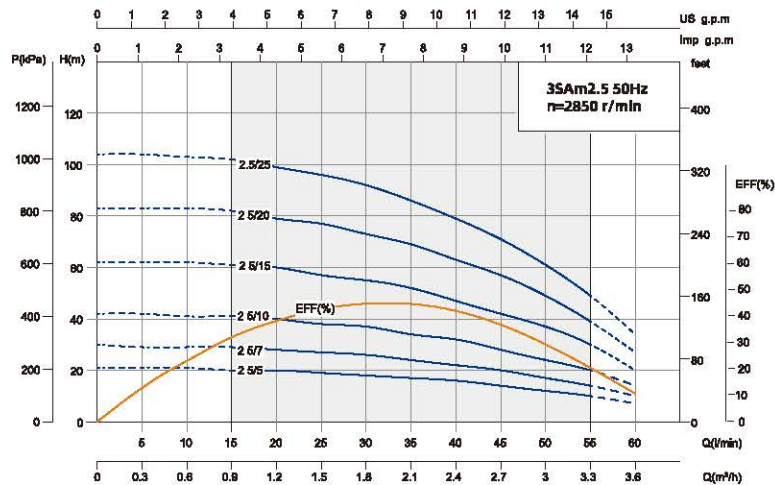
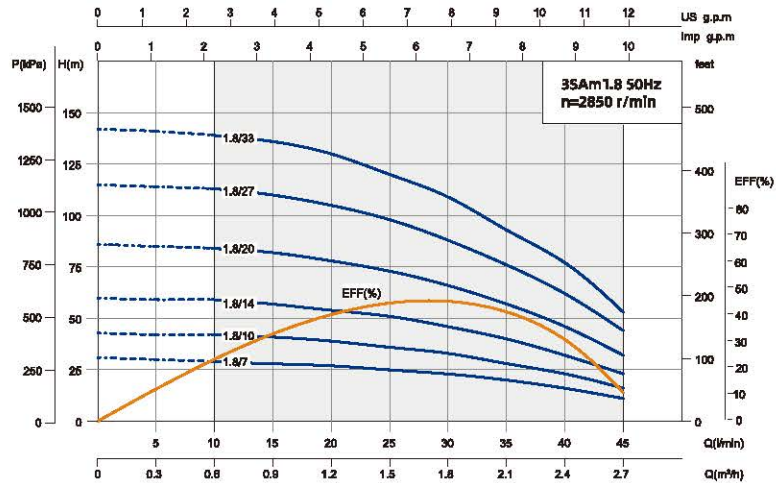


Performance Curve

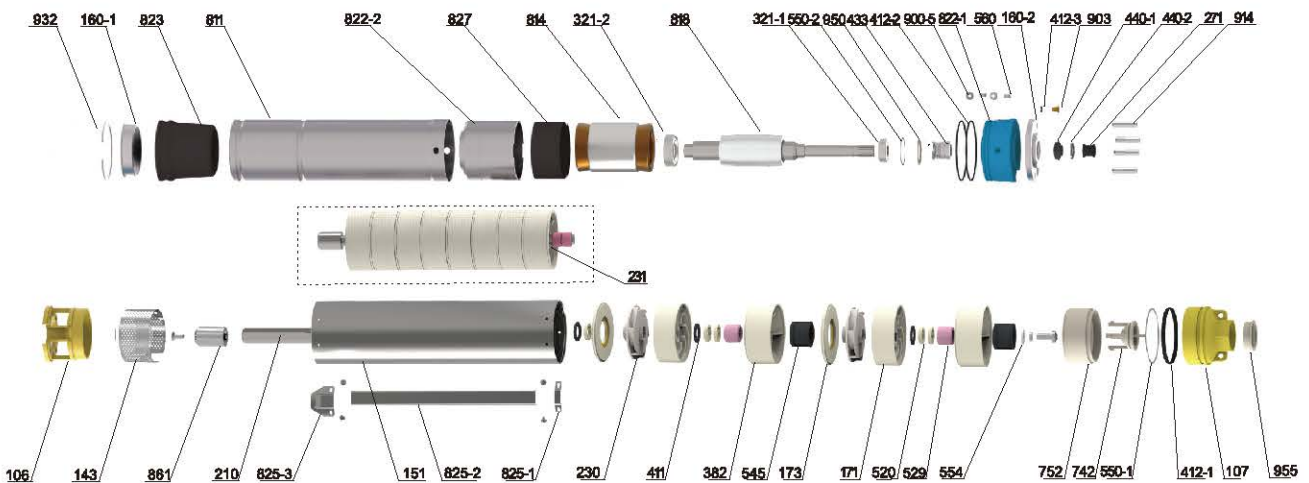


Model	Power		Rate Current (A)	Flow											Head Range (m)
	Single-Phase	kW		HP	m ³ /h	0	0.3	0.6	0.9	1.2	1.5	1.8	2.1	2.4	
			220V		l/min	0	5	10	15	20	25	30	35	40	
3SAm1.8/7	0.18	0.25	1.7	H(m)	30	30	29	29	27	25	23	20	16	11	29~11
3SAm1.8/10	0.25	0.33	2.3		43	42	42	41	39	36	33	28	23	16	42~16
3SAm1.8/14	0.37	0.5	3.3		60	59	59	57	54	51	46	40	32	23	59~23
3SAm1.8/20	0.55	0.75	4.6		86	85	84	82	78	73	66	57	46	32	84~32
3SAm1.8/27	0.75	1	6		115	114	113	110	105	98	88	76	62	44	113~44
3SAm1.8/33	1.1	1.5	8.4		142	141	139	136	130	120	109	93	77	53	139~53

Model	Power		Rate Current (A)	Flow							Head Range (m)	
	Single-Phase	kW		HP	m ³ /h	0	0.6	1.2	1.8	2.4		3
			220V		l/min	0	10	20	30	40		50
3SAm2.5/5	0.18	0.25	1.7	H(m)	21	21	20	18	16	12	7	20~10
3SAm2.5/7	0.25	0.33	2.3		30	29	28	26	22	17	10	29~14
3SAm2.5/10	0.37	0.5	3.3		41	41	40	37	32	24	14	41~20
3SAm2.5/15	0.55	0.75	4.6		62	62	60	55	47	37	20	61~30
3SAm2.5/20	0.75	1	6		83	83	79	73	63	49	27	82~39
3SAm2.5/25	1.1	1.5	8.4		104	103	99	92	79	61	34	102~49

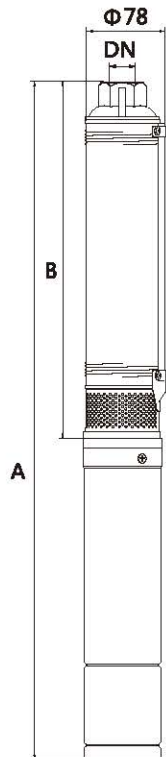
Model	Power		Rate Current (A)	Flow											Head Range (m)
	Single-Phase	kW		HP	m ³ /h	0	0.6	1.2	1.8	2.4	3	3.6	4.2	4.8	
			220V		l/min	0	10	20	30	40	50	60	70	80	
3SAm4/4	0.18	0.25	2	H(m)	17	17	16	15	15	14	13	11	9	5	16~5
3SAm4/6	0.25	0.33	2.7		25	25	24	23	22	21	19	16	13	8	24~8
3SAm4/9	0.37	0.5	3.8		37	37	36	35	33	32	28	24	19	12	36~12
3SAm4/12	0.55	0.75	5.4		49	49	48	47	45	42	37	32	25	15	48~15
3SAm4/16	0.75	1	6.2		66	66	65	62	59	56	50	42	34	21	65~21
3SAm4/20	0.92	1.25	7.3		82	82	81	78	74	70	62	53	42	25	81~25
3SAm4/24	1.1	1.5	7.9		99	99	97	93	89	84	75	63	51	31	97~31

Components & Materials



No.	Part name	No.	Part name	No.	Part name	No.	Part name
106	Inlet joint	321-1	Deep groove ball bearing 6202	545	Rubber bearing	825-1	Small pressing plate
107	Delivery chamber	321-2	Deep groove ball bearing 6003	550-1	Adjusting washer	825-2	Cable pressing plate
143	Net cover	382	Bearing block	550-2	Flat washer	825-3	Small pressing plate
151	Sleeve	411	Wear washer	554	Flat washer	827	Lower spacer sleeve
160-1	Bottom cover	412-1	O-ring	560	Locating sleeve	904	Vent cock
160-2	Cover plate	412-2	O-ring	742	Bonnet	904	Vent cock
171	Guide vane	412-3	O-ring	752	Valve seat	914	Hexagon socket flat point set screw
173	Guide vane cover plate	433	Mechanical seal	814	Stator core with winding	932	Retaining ring
210	Pump shaft	440-1	Anti-sand seat	818	Rotor	950	Wave spring
230	Impeller	440-2	Anti-sand pad	822-1	Oil chamber	955	Dust cover
231	Impeller string	520	Spacer bush	822-2	Lower bearing block		
271	Anti-sand sleeve	529	Shaft sleeve	823	Pressure regulating film		

Dimensions & Weight



Model	Pipe Connction (DN)	Dim. (mm)		N.W.(kg)	
		B	A Single-Phase	Body(kg)	Motor(kg) M(Single-phase)
3SAm1.8/7	G1	332	630	1.6	3.9
3SAm1.8/10		399	720	1.9	4.6
3SAm1.8/14		514	865	2.6	5.4
3SAm1.8/20		649	1040	3.7	6.3
3SAm1.8/27		831	1255	4.9	7.1
3SAm1.8/33		966	1475	5.2	9.3

Model	Pipe Connction (DN)	Dim. (mm)		N.W.(kg)	
		B	A Single-Phase	Body(kg)	Motor(kg) M(Single-phase)
3SAm2.5/5	G1	311	609	1.1	3.9
3SAm2.5/7		367	688	1.4	4.6
3SAm2.5/10		450	801	1.6	5.4
3SAm2.5/15		613	1005	2.7	6.3
3SAm2.5/20		752	1176	3.4	7.1
3SAm2.5/25		916	1425	3.7	9.3

Model	Pipe Connction (DN)	Dim. (mm)		N.W.(kg)	
		B	A Single-Phase	Body(kg)	Motor(kg) M(Single-phase)
3SAm4/4	G1¼	273	570	1.6	3.9
3SAm4/6		336	658	1.8	4.6
3SAm4/9		430	782	2.1	5.4
3SAm4/12		524	916	2.5	6.3
3SAm4/16		673	1095	2.9	7.1
3SAm4/20		798	1250	3.3	8.5
3SAm4/24		924	1431	4.2	9.3

Packing Size & Weight

Model	Dim. (mm)	G.W.(kg)	20"LoadinE Qty.(pcs)
Single-phase	Pump(LxWxH)		
3SAm1.8/7	915x90x185	6.5	1780
3SAm1.8/10	1010x90x185	7.5	1610
3SAm1.8/14	1150x90x185	9	1410
3SAm1.8/20	1325x90x185	11	1210
3SAm1.8/27	1540x90x185	13	1040
3SAm1.8/33	1760x90x185	15.5	900

Model	Dim. (mm)	G.W.(kg)	20"LoadinE Qty.(pcs)
Single-phase	Pump(LxWxH)		
3SAm2.5/5	920x90x185	6	1770
3SAm2.5/7	1000x90x185	7	1630
3SAm2.5/10	1100x90x185	8	1470
3SAm2.5/15	1300x90x185	10	1240
3SAm2.5/20	1470x90x185	11.5	1090
3SAm2.5/25	1710x90x185	14	930

Model	Dim. (mm)	G.W.(kg)	20"LoadinE Qty.(pcs)
Single-phase	Pump(LxWxH)		
3SAm4/4	920x90x185	6.0	1700
3SAm4/6	980x90x185	7.0	1590
3SAm4/9	1100x90x185	8.0	1420
3SAm4/12	1265x90x185	9.5	1230
3SAm4/16	1435x90x185	10.5	1090
3SAm4/20	1650x90x185	12.5	945
3SAm4/24	1760x90x185	14.5	890

