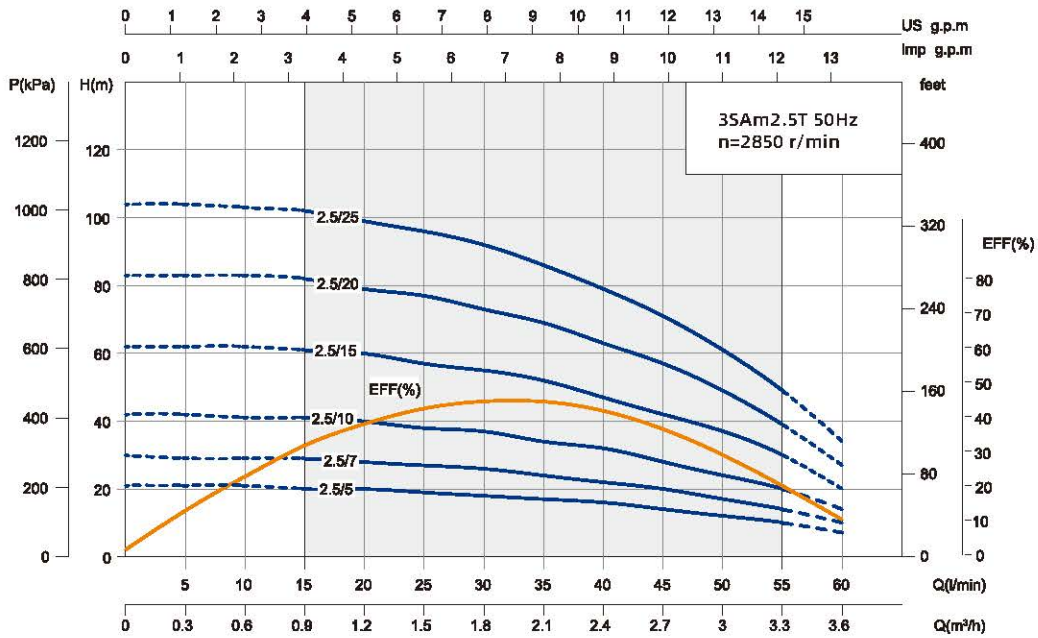
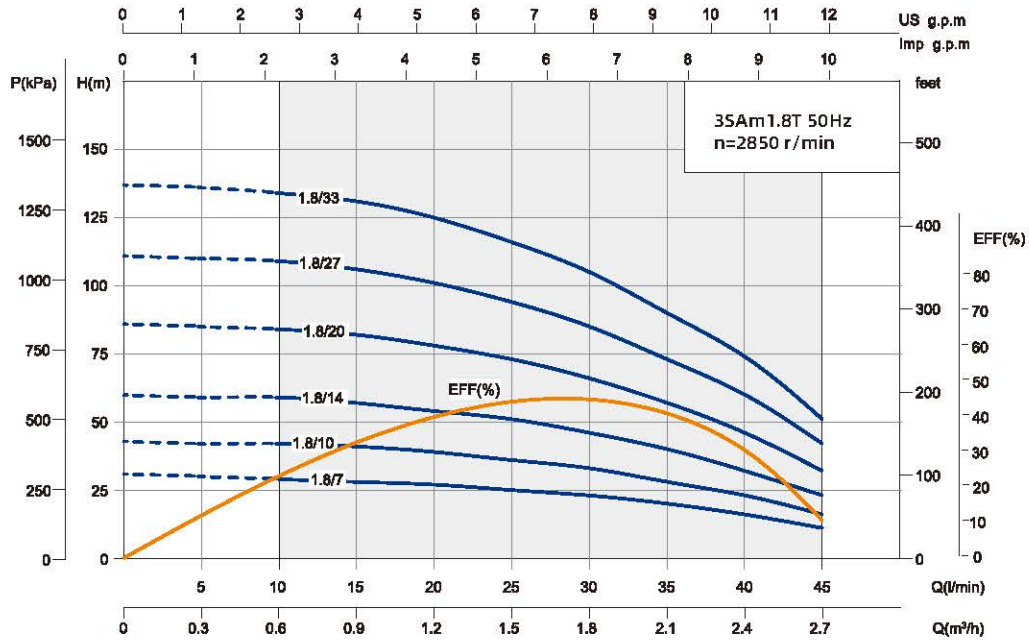


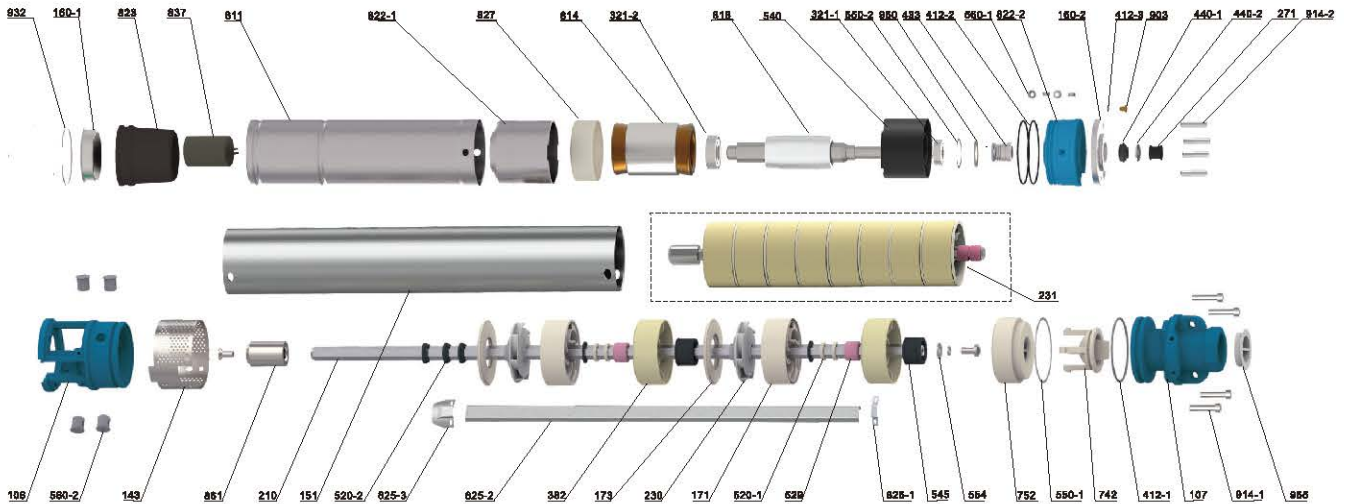
Performance Curve



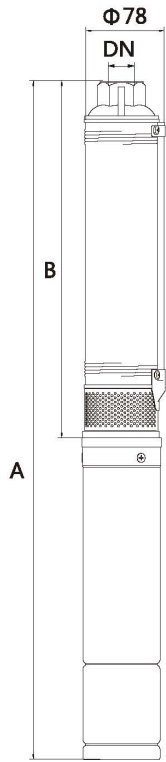
Model	Power		Rate Current (A)	Flow											Head Range (m)
				Flow											
	Single-Phase	kW		HP	m ³ /h	0	0.3	0.6	0.9	1.2	1.5	1.8	2.1	2.4	
220V			220V	l/min	0	5	10	15	20	25	30	35	40	45	
3SAm1.8/7T	0.18	0.25	1.7	H(m)	30	30	29	29	27	25	23	20	16	11	29~11
3SAm1.8/10T	0.25	0.33	2.3		43	42	42	41	39	36	33	28	23	16	42~16
3SAm1.8/14T	0.37	0.5	3.3		60	59	59	57	54	51	46	40	32	23	59~23
3SAm1.8/20T	0.55	0.75	4.6		86	85	84	82	78	73	66	57	46	32	84~32
3SAm1.8/27T	0.75	1	6		115	114	113	110	105	98	88	76	62	44	113~44
3SAm1.8/33T	1.1	1.5	8.4		142	141	139	136	130	120	109	93	77	53	139~53

Model	Power		Rate Current (A)	Flow													Head Range (m)	
				Flow														
	Single-Phase	kW		HP	m ³ /h	0	0.3	0.6	0.9	1.2	1.5	1.8	2.1	2.4	2.7	3		3.3
220V			220V	l/min	0	5	10	15	20	25	30	35	40	45	50	55	60	
3SAm2.5/5T	0.18	0.25	1.7	H(m)	21	21	21	20	20	19	18	17	16	14	12	10	7	20~10
3SAm2.5/7T	0.25	0.33	2.3		30	29	29	29	28	27	26	24	22	20	17	14	10	29~14
3SAm2.5/10T	0.37	0.5	3.3		41	42	41	41	40	38	37	34	32	28	24	20	14	41~20
3SAm2.5/15T	0.55	0.75	4.6		62	62	62	61	60	57	55	52	47	42	37	30	20	61~30
3SAm2.5/20T	0.75	1	6		83	83	83	82	79	77	73	69	63	57	49	39	27	82~39
3SAm2.5/25T	1.1	1.5	8.4		104	104	103	102	99	96	92	86	79	71	61	49	34	102~49

Components & Materials



No.	Part name	No.	Part name	No.	Part name	No.	Part name	No.	Part name
106	Inlet joint	231	Impeller string	440-2	Anti-sand pad	560-2	Locating pin	825-3	Small pressing plate
107	Delivery chamber	271	Anti-sand sleeve	520-1	Spacer bush	742	Bonnet	827	Insulating paper
143	Net cover	321-1	Deep groove ball bearing	520-2	Spacer bush	752	Valve seat	837	Capacitor
151	Sleeve	321-2	Deep groove ball bearing	529	Shaft sleeve	811	Casing	903	Vent cock
160-1	Bottom cover	382	Bearing block	540	Upper spacer sleeve	814	Stator core with winding	914-1	Hexagon socket head cap screw
160-2	Cover plate	412-1	O-ring	545	Rubber bearing	818	Rotor	914-2	Hexagon socket flat point set screw
171	Guide vane	412-2	O-ring	550-1	Adjusting washer	822-1	Lower bearing block	932	Retaining ring
173	Guide vane cover plate	412-3	O-ring	550-2	Flat washer	823	Pressure regulating film	950	Wave spring
210	Pump shaft	433	Mechanical seal	554	Flat washer	825-1	Small pressing plate	955	Dust cover
230	Impeller	440-1	Anti-sand seat	560-1	Locating sleeve	825-2	Cable pressing plate		



Dimensions & Weight

Model	Pipe Connection (DN)	Dim. (mm)		N.W.(kg)	
		B	A Single-Phase	Body(kg)	Motor(kg) M(Single-phase)
3SAm1.8/7T	G1/1	388	814	2.4	4.4
3SAm1.8/10T		456	907	2.6	5.0
3SAm1.8/14T		569	1050	3.0	5.7
3SAm1.8/20T		704	1225	3.6	6.8
3SAm1.8/27T		861	1412	4.2	8.7
3SAm1.8/33T		995	1631	4.7	10.9

Model	Pipe Connection (DN)	Dim. (mm)		N.W.(kg)	
		B	A Single-Phase	Body(kg)	Motor(kg) M(Single-phase)
3SAm2.5/5T	G1/1	371	750	1.7	4.4
3SAm2.5/7T		415	820	1.9	5.0
3SAm2.5/10T		499	933	2.3	5.7
3SAm2.5/15T		622	1136	2.8	6.8
3SAm2.5/20T		801	1305	3.5	7.5
3SAm2.5/25T		964	1553	3.8	9.7

Packing Size & Weight

Model	Dim. (mm)	G.W.(kg)	20"LoadInE Qty.(pcs)
Single-phase	Pump(LxWxH)		
3SAm1.8/7T	830x90x125	7.2	1880
3SAm1.8/10T	910x90x125	8.1	1700
3SAm1.8/14T	1050x90x125	9.3	1470
3SAm1.8/20T	1230x90x125	11.0	1260
3SAm1.8/27T	1450x90x125	12.5	1070
3SAm1.8/33T	1660x90x125	15.3	930

Model	Dim. (mm)	G.W.(kg)	20"LoadInE Qty.(pcs)
Single-phase	Pump(LxWxH)		
3SAm2.5/5T	800x90x125	7.1	1920
3SAm2.5/7T	870x90x125	7.9	1770
3SAm2.5/10T	980x90x125	8.9	1570
3SAm2.5/15T	1180x90x125	10.6	1310
3SAm2.5/20T	1330x90x125	11.7	1150
3SAm2.5/25T	1570x90x125	14.6	960

