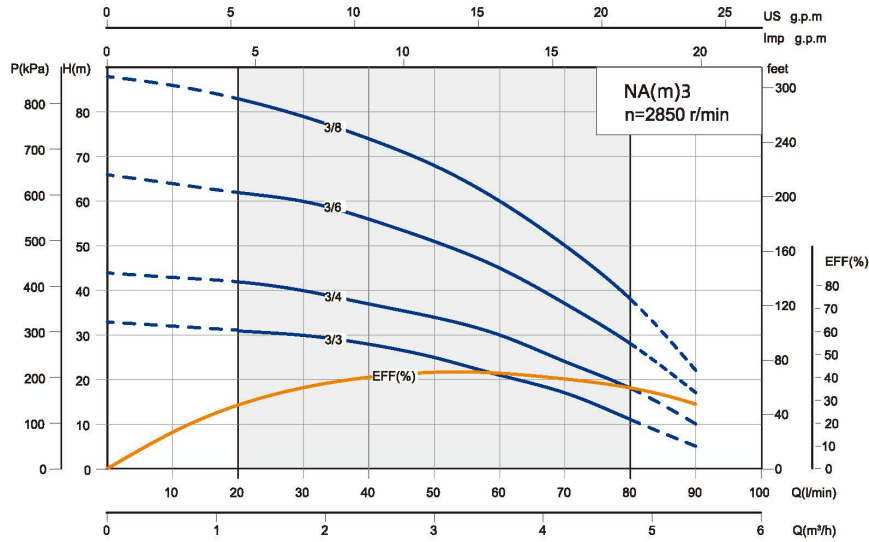
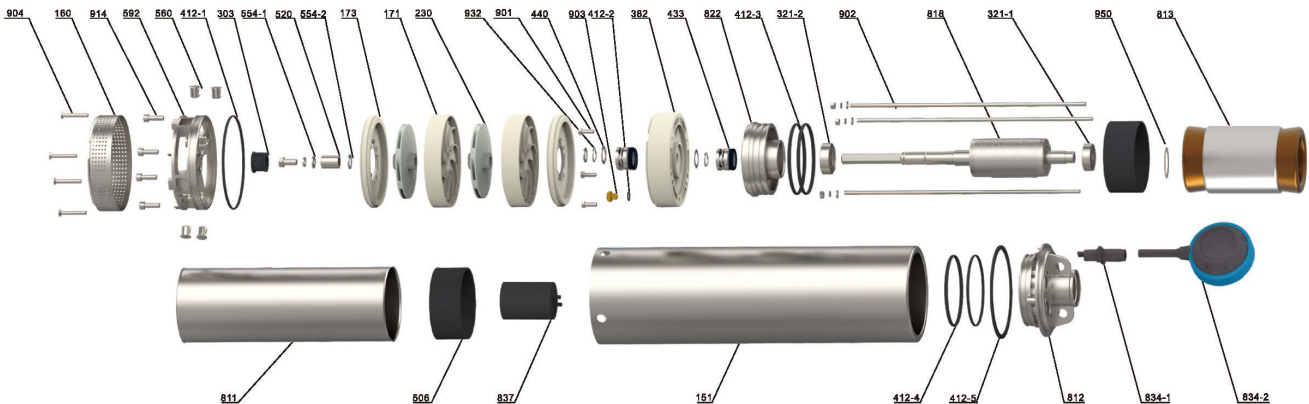


Performance Curve



Model		Power		Rate Current (A)		Flow										Head Range (m)
Single-Phase	Three-Phase	kW	HP	Single-Phase	Three-Phase	m ³ /h	0	1.2	1.8	2.4	3	3.6	4.2	4.8	5.4	
220V	380V			220V	380V		l/min	0	20	30	40	50	60	70	80	
NAm3/3	-	0.55	0.75	4.6	-	H(m)	33	31	30	28	25	21	17	11	5	31~11
NAm3/4	NA3/4	0.75	1	6.0	2.6		44	42	40	37	34	30	24	18	10	42~18
NAm3/6	NA3/6	1.1	1.5	8.4	3.4		66	62	60	56	51	45	37	28	17	62~28
NAm3/8	NA3/8	1.5	2	10.9	4.4		88	83	79	74	68	60	50	38	22	84~38

Components & Materials



No.	Part name	No.	Part name	No.	Part name
151	Sleeve	433	Mechanical seal	834-2	Float switch
160	Chassis	440	Anti-sand pad	837	Capacitor
171	Guide vane	506	Spacer sleeve	901	Hexagon head bolt - full thread
173	Guide vane cover plate	520	Shaft sleeve	902	Tie blot
230	Impeller	554-1	Flat washer	903	Vent cock
303	Rubber bearing	554-2	Flat washer	904	Cross recessed countersunk head screw
321-1	Deep groove ball bearing	560	Locating pin	914	Hexagon socket head cap screw
321-2	Angular contact bearing	592	Base	932	Circlip for shaft
382	Lower plastic seat	811	Casing	950	Wave spring
412-1	O-ring	812	Head cover		
560	O-ring	813	Stator coil with winding		
592	O-ring	818	Rotor		
811	O-ring	822	Oil chamber		
812	O-ring	834-1	Interpolation		



Dimensions & Weight

Model		Pipe Connection (DN)	Dim.(mm)		N.W(kg)	
Single-phase	Three-phase		A Single-Phase	A Three-phase	Motor(kg)	
					Single-phase	Three-phase
NAm3/3	-	G1¼	530	-	14	-
NAm3/4	NA3/4		585	530	15.5	14
NAm3/6	NA3/6		690	625	19	17
NAm3/8	NA3/8		780	700	22.5	18

Packing Size & Weight

Model		Dim.(mm)		G.W.(kg)		20" Loading Qty.(pcs)	
Single-phase	Three-phase	Pump(LxWxH)		Single-phase	Three-phase	Single-phase	Three-phase
		Single-phase	Three-phase				
NAm3/3	-	555x140x230	-	15	-	1510	-
NAm3/4	NA3/4	615x140x230	555x140x230	16.5	15	1360	1510
NAm3/6	NA3/6	720x140x230	655x140x230	20	18	1150	1270
NAm3/8	NA3/8	830x140x230	725x140x230	24	19	990	1140

