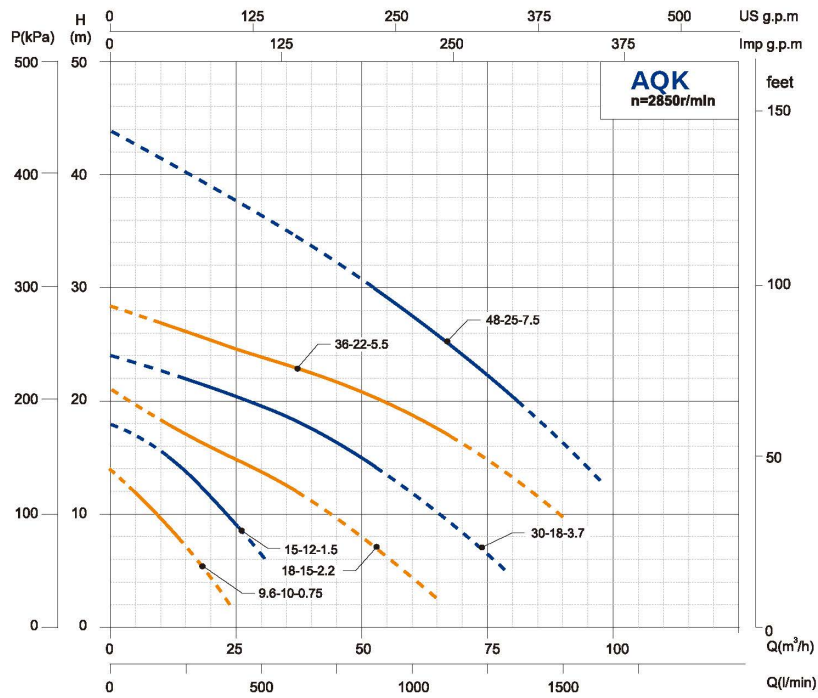
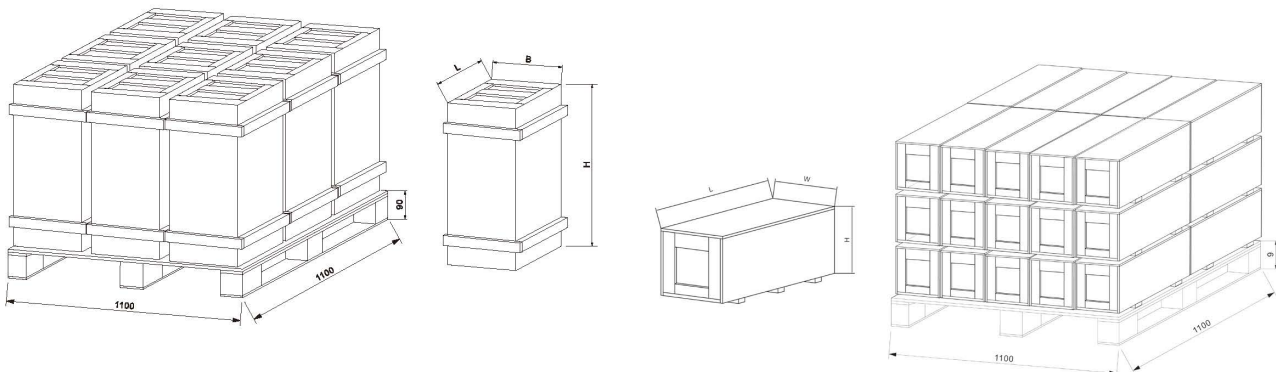


Performance Curve

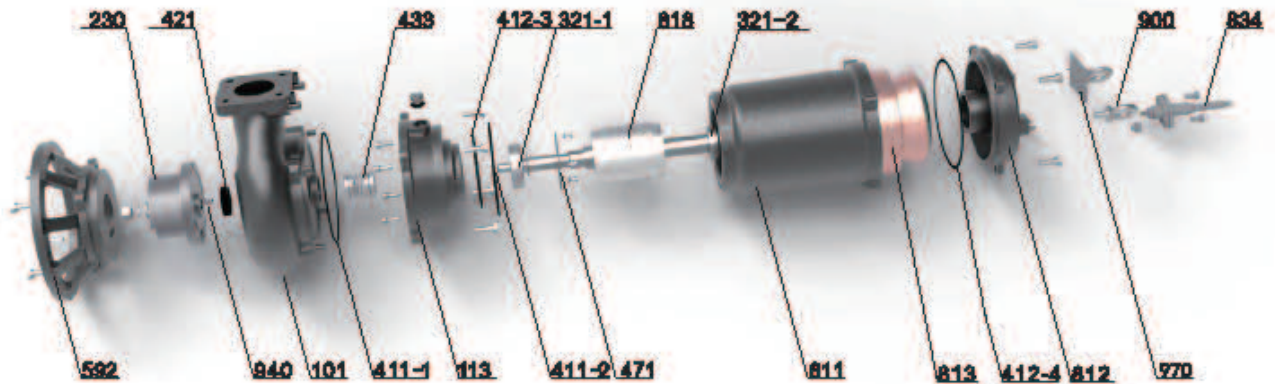


Model	Power		Rate Current (A)	Max. Flow (m ³ /h)	Max. Head (m)	Head Range (m)	Cable line (m)	Dim.mm (LxBxH)	G.W. (kg)	20' Loading Qty. (pcs)
	kW	HP								
AQK9.6-10-0.75(380V/50Hz)	0.75	1	2	23.5	13	12~8	4x0.75-6	600x255x329	34	693
AQK15-12-1.5(380V/50Hz)	1.5	2	3.6	31	19	15~9	4x1-6	600x255x330	42.3	567
AQK18-15-2.2(380V/50Hz)	2.2	3	5.1	64	20	18~12	4x1-6	600x275x365	51.7	486
AQK30-18-3.7(380V/50Hz)	3.7	5	8.2	80	23	22~14	4x1.5-6	370x325x680	71	324
AQK36-22-5.5(380V/50Hz)	5.5	7.5	11.7	100	28	27~17	4x1.5 ☆ -6	400x340x770	85	255
AQK48-25-7.5(380V/50Hz)	7.5	10	15.7	102	33	30~20	4x2.5-6	400x340x770	91	255
AQK15-12-1.5(415V/50Hz)	1.5	2	3.3	31	19	15~9	4x1-6	600x255x330	42.3	567
AQK18-15-2.2(415V/50Hz)	2.2	3	4.7	69	20	18~12	4x1-6	600x275x365	51.7	486

Centrifugal pumps are not recommended to be used less than the lift range.

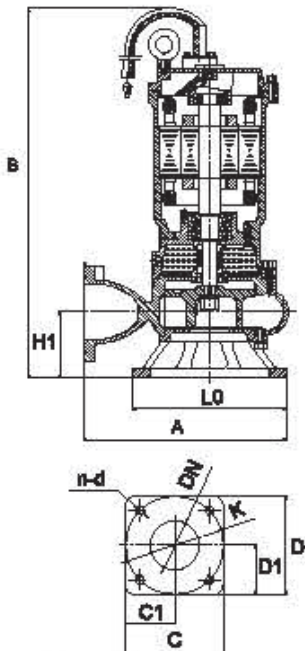


Components & Materials



No.	Part name	No.	Part name	No.	Part name
101	Pump body	411-3	O-ring	812	Head cover
113	Oil chamber	411-4	O-ring	814	Stator core with winding
230	Impeller	421	Framework oil seal	818	Rotor
321-1	Deep groove ball bearing	433	Mechanical seal	834	Cable
321-2	Deep groove ball bearing	471	Bearing gland	900	Lifting bolt
411-1	O-ring	592	Base	940	Ordinary flat key
411-2	O-ring	811	Casing	970	Nameplate

Dimensions & Weight



Model	Dim.(mm)											N.W. (kg)
	B	H1	A	LO	DN	K	C	C1	D	D1	n-d	
AQK9.6 10 0.75(380V/50Hz)	400	96	250	220	2"	99	100	50	100	50	∕ M10	31
AQK15 12 1.5(380V/50Hz)	520	99	270	200	2"	99	100	50	100	50	∕ M10	36
AQK18 15 2.2(380V/50Hz)	525	101	292	237	3"	156	140	70	150	70	∕ M12	40
AQK30 18 3.7(380V/50Hz)	560	100	320	270	3"	156	140	70	150	70	∕ M12	65
AQK36 22 5.5(380V/50Hz)	600	103	340	290	4"	156	140	70	150	70	∕ M12	78
AQK45 25 7.5(380V/50Hz)	600	103	340	290	4"	156	140	70	150	70	∕ M12	94
AQK15 12 1.5(∕15V/50Hz)	520	99	270	200	2"	99	100	50	100	50	∕ M10	36
AQK18 15 2.2(∕15V/50Hz)	525	101	292	237	3"	156	140	70	150	70	∕ M12	40