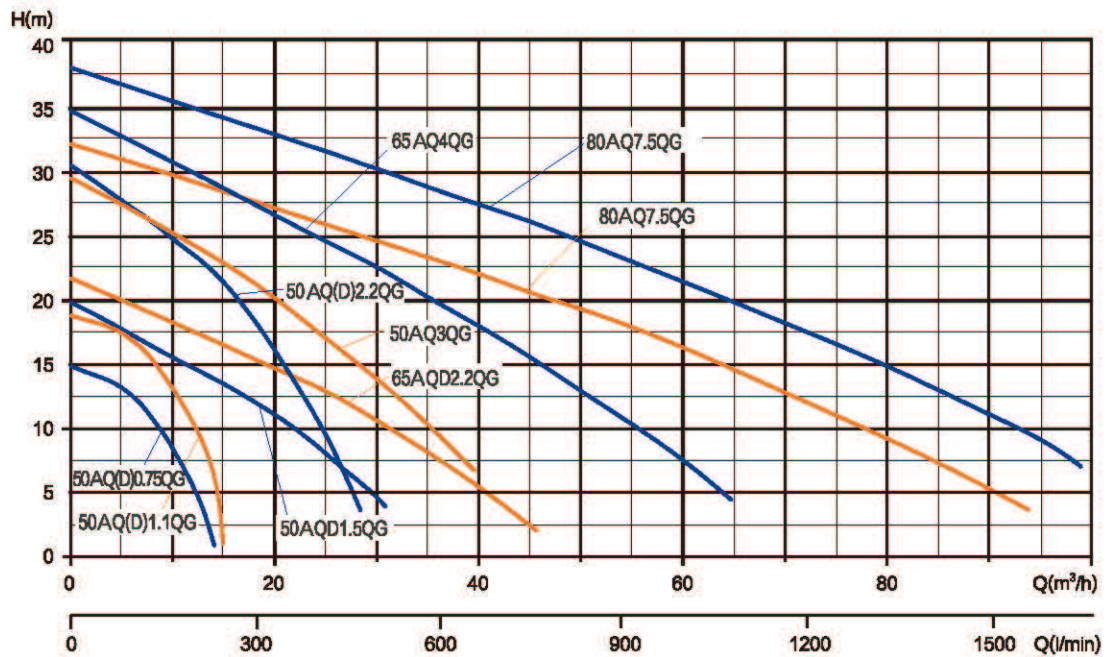
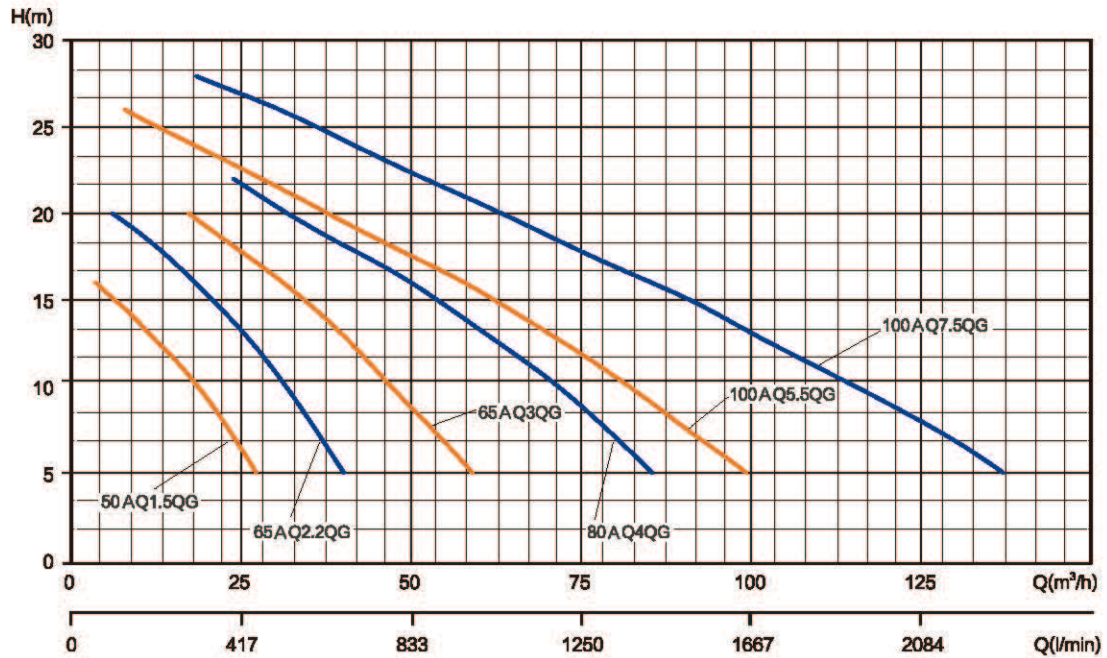
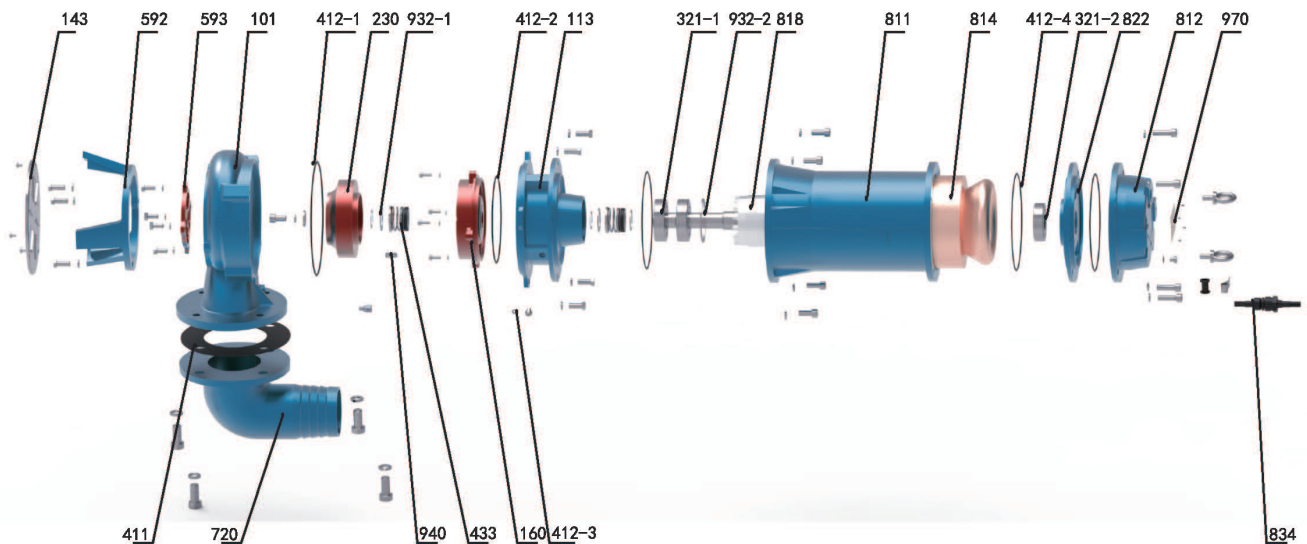


Performance Curve



Model	Power		Rate Current (A)	Max. Flow (m ³ /h)	Max. Head (m)	Head Range (m)	Cable line (m)	Packing Dim. L×W×H(mm)	G.W (kg)	20'Loading Qty. (pcs)
	kW	HP								
50AQD0.75QG	0.75	1	5.2	13.8	15.5	14~4	3×0.75-8m	600×230×220	26	988
50AQD1.1QG	1.1	1.5	7.3	13.8	19.5	18~5	3×0.75-8m	600×230×220	27	988
50AQD1.5QG	1.5	2	9.5	28.8	18	16~5	3×1-8m	645×225×290	44	713
50AQD2.2QG	2.2	3	13.5	29.4	32	30~10	3×1.5-8m	650×230×300	46	669
65AQD2.2QG	2.2	3	13.5	47.4	22	20~5	3×1.5-8m	650×270×340	47	503
50AQ0.75QG	0.75	1	2	13.8	15.5	14~4	4×0.75-8m	600×230×220	25	988
50AQ1.1QG	1.1	1.5	2.7	13.8	19.5	18~5	4×0.75-8m	600×230×220	26	988
50AQ1.5QG	1.5	2	3.6	25	16	16~5	4×0.75-8m	615×225×290	39	748
50AQ2.2QG	2.2	3	5.1	29.4	32	30~10	4×0.75-8m	615×230×300	41	707
65AQ2.2QG	2.2	3	5.1	40	20	20~5	4×0.75-8m	600×260×340	40	566
50AQ3QG	3	4	6.7	39.6	27	28~10	4×1-8m	690×230×310	55	610
65AQ3QG	3	4	6.7	55	20	20~5	4×1-8m	685×240×330	52	553
65AQ4QG	4	5.5	8.8	63	33	30~10	3×1.5+1×1-8m	700×240×350	60	510
80AQ4QG	4	5.5	8.8	80	22	22~5	3×1.5+1×1-8m	685×260×360	58	468
80AQ5.5QG	5.5	7.5	11.7	86.4	29	28~10	3×1.5+1×1-8m	770×300×390	82	333
100AQ5.5QG	5.5	7.5	11.7	95	24	24~5	3×1.5+1×1-8m	750×320×415	87	301
80AQ7.5QG	7.5	10	15.7	93.6	35.5	35~10	3×2.5+1×1.5-8m	770×300×390	90	333
100AQ7.5QG	7.5	10	15.7	135	26	26~5	3×2.5+1×1.5-8m	780×330×435	98	268

Components & Materials



No.	Part name	No.	Part name	No.	Part name
101	Pump body	412-2	O-ring	814	Stator core with winding
113	Oil chamber	412-3	O-ring	818	Rotor
143	Chassis	412-4	O-ring	822	Upper bearing block
160	Oil chamber cover	433	Mechanical seal	834	Cable sheath
230	Impeller	592	Base	932-1	Mechanical seal ring
321-1	Deep groove ball bearing - high temperature	593	Cutting disc	932-2	Circlip for hole
321-2	Deep groove ball bearing	720	Outlet joint	940	Flat key
411	Rubber washer	811	Casing	970	Nameplate
412-1	O-ring	812	Head cover		

Dimensions & Weight

Model	Dim.(mm)						N.W. (kg)
	L	H	DN	D	K	n-d	
50AQD0.75QG	300	475	50	140	110	4-M12	25
50AQD1.1QG	300	475	50	140	110	4-M12	26
50AQD1.5QG	317	552	50	140	110	4-M12	40
65AQD2.2QG	375	557	65	160	130	4-M12	42
50AQD2.2QG	327	559	50	140	110	4-M12	41
50AQ0.75QG	300	475	50	140	110	4-M12	24
50AQ1.1QG	300	475	50	140	110	4-M12	25
50AQ1.5QG	306	537	50	140	110	4-M12	33
65AQ2.2QG	375	522	65	160	130	4-M12	34
50AQ2.2QG	327	524	50	140	110	4-M12	38
50AQ3QG	339	598	50	140	110	4-M12	49
65AQ3QG	366	607	65	160	130	4-M12	45
65AQ4QG	390	606	65	160	130	4-M12	54
80AQ4QG	380	607	80	190	150	4-M16	51
80AQ5.5QG	445	677	80	190	150	4-M16	75
100AQ5.5QG	470	682	100	210	170	4-M16	80
80AQ7.5QG	445	677	80	190	150	4-M16	82
100AQ7.5QG	492	685	100	210	170	4-M16	89