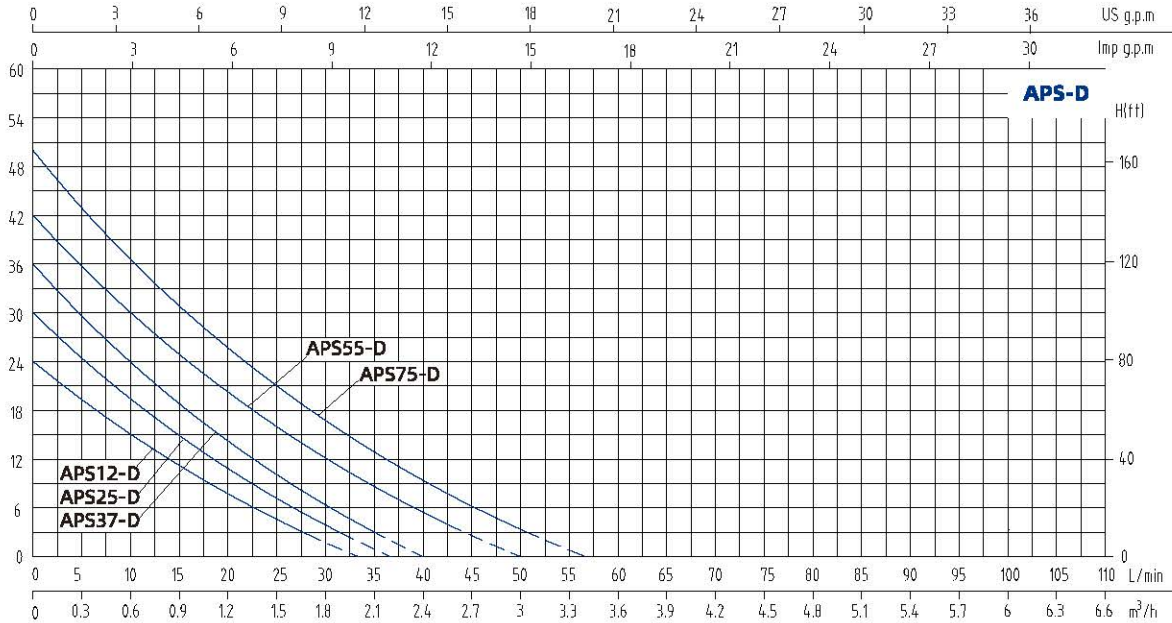


Performance Curve

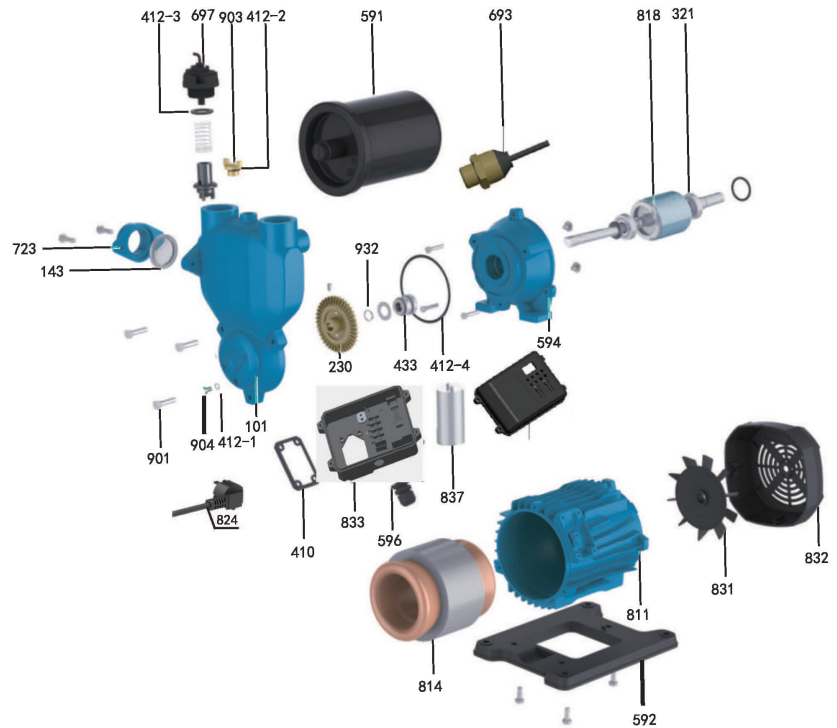


Model	Power		Max. Flow (m³/h)	Max. Head (m)	Head Range (m)	Max. Suction (m)
	kW	HP				
APS12-D	0.125	0.17	2	24	20~0	8
APS25-D	0.25	0.34	2.2	30	26~0	8
APS37-D	0.37	0.5	2.4	36	32~0	8
APS55-D	0.55	0.75	3.0	42	38~0	8
APS75-D	0.75	1	3.4	50	46~0	8

Note: The cable length of single phase pump is 1.3m, Europe plug.

Components & Materials

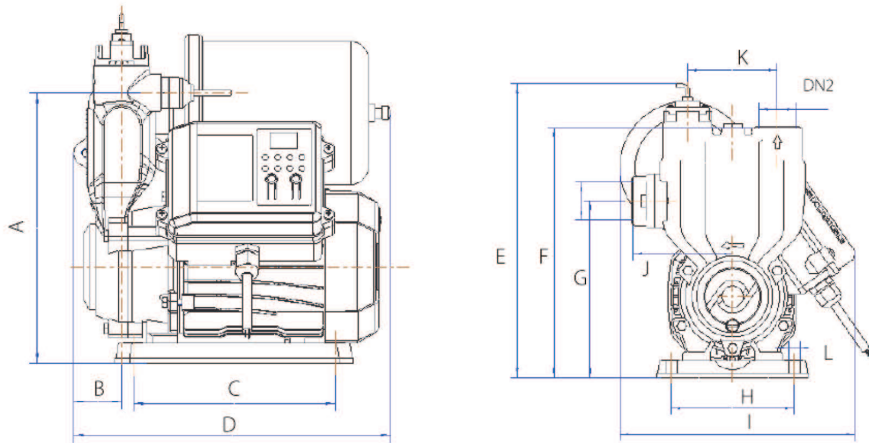
No.	Specifications
412-2	O-ring
412-1	O-ring
412-3	O-ring
412-4	O-ring
832	Fan cover
143	Filter assembly
831	Fan\QB60
818	Rotor
811	Casing
693	Pressure sensor
596	Cable lock
594	Connector body
591	Pressure tank
932	Circlip for shaft
433	Mechanical seal
903-2	Vent cock
837	Running capacitor
833	Control box assembly
824	Cable (domestic)
723	Inlet pipe
101	Pump body
903-1	Slotted cheese head screw
814	Stator core with winding
697	Flow switch
592	Base
411	Rubber washer
410	Rubber gasket
321	Deep groove ball bearing
230	Impeller
901	Hexagon head bolt



Model	APS12-D	APS25-D	APS37-D	APS55-D	APS75-D
Capacitor(μF)	8μF/450V	10μF/450V	10μF/450V	12μF/450V	18μF/450V
End cap Bearing	6201-2RZ	6201-2RZ	6201-2RZ	6202-2RZ	6202-2RZ
Connection Part Bearing	6201-2RZ	6201-2RZ	6201-2RZ	6202-2RZ	6202-2RZ
Motor Shaft	Steel 45#+304				
Mechanical Seal	108-12 S:A (PC) A: Graphite,B:Alumina ceramic,P:NBR,C:stainless steel(06Cr19Ni10)				
Motor Case	Aluminum				
Coupling	Cast Iron				
Pump Body	Cast Iron				
Impeller	Brass				

Dimensions & Weight

Model	DN1	DN2	Dim.(mm)												N.W. (kg)
	Inch		A	B	C	D	E	F	G	H	I	J	K	L	
APS12-D	3/4	3/4	202	39	165	259	261	222	157	110	210	89	80	9	7.8
APS25-D	1	1	202	39	165	259	261	222	157	110	210	89	80	9	8.5
APS37-D	1	1	202	39	165	259	261	222	157	110	210	89	80	9	8.8
APS55-D	1	1	224	39	190	265	293	254	189	132	218	101	100	9	11.4
APS75-D	1	1	224	39	190	266	293	254	189	132	218	101	100	9	13.1



Model	Dim.(L×W×H) mm	G.W. (kg)	20'Loading Qty. (pcs)
APS12-D	295×230×300	8.3	1600
APS25-D	295×230×300	9.0	1600
APS37-D	295×230×300	9.3	1600
APS55-D	315×245×325	12.1	1320
APS75-D	315×245×325	13.8	1320

