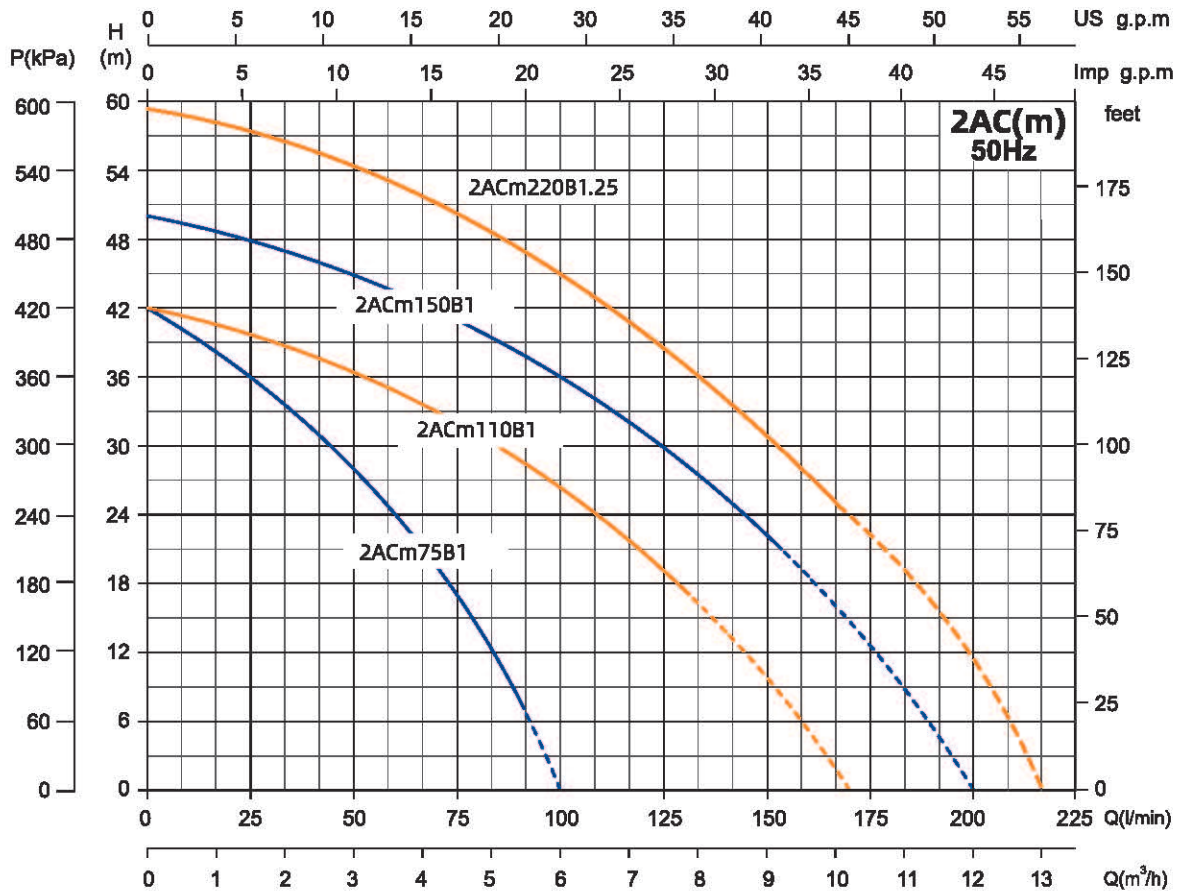
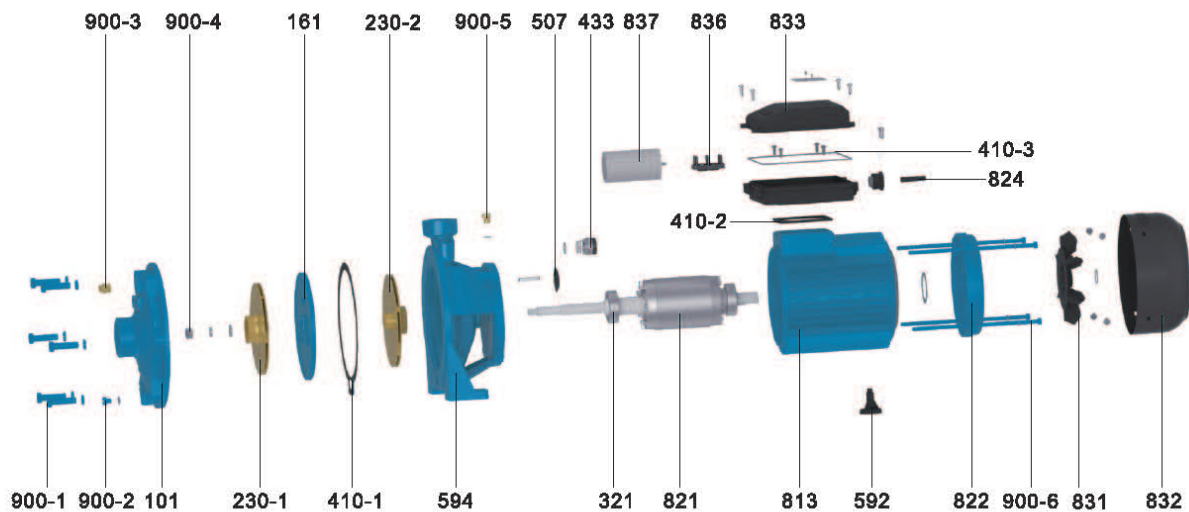


**Performance Curve**



Model	Power		Max. Flow (m³/h)	Max. Head (m)	Head Range (m)	Max. Suction (m)
	Single-Phase kW	HP				
2ACm75B1	0.75	1	6	42	42~7	8
2ACm110B1	1.1	1.5	10.2	42	42~12	7
2ACm150B1	1.5	2	12	50	50~22	7
2ACm220B1.25	2.2	3	13	60	60~20	7

## Components & Materials

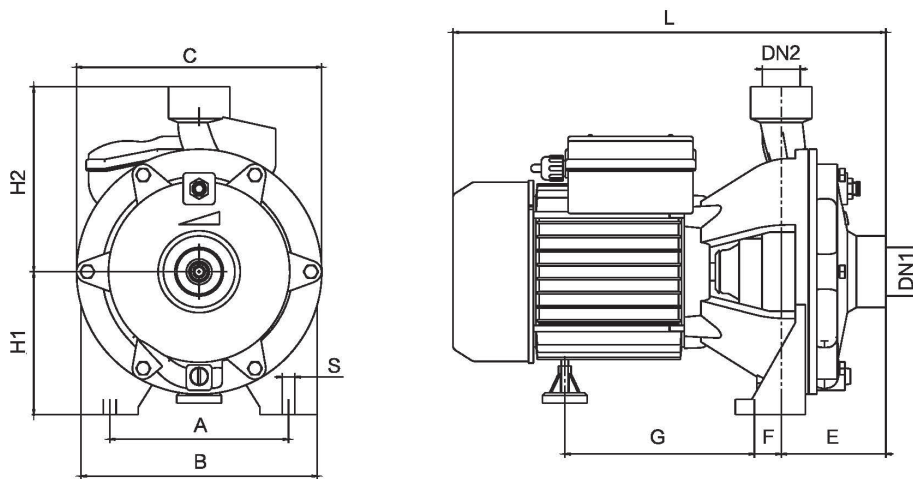


No.	Component	No.	Component	No.	Component
101	Pump body	507	Water retaining ring	833	Junction Box
161	Pump cover	592	Feet	836	Terminal
230-1	Impeller (I)	594	Coupling	837	Running capacitor
230-2	Impeller (II)	813	stator	900-1	Hexagon head bolts full thread
321	Deep groove ball bearing	821	Rotor	900-2	Slotted cheese head screws
410-1	Seal (flat)	822	Back cover	900-3	Vent cock
410-2	Rubber gasket	824	Cable	900-4	Type 1 hex nut
410-3	Rubber gasket	831	fan	900-5	Vent cock
433	Machinery Seal	832	Fan cover	900-6	Hexagon head bolts

Model	2ACm75B1	2ACm110B1	2ACm150B1	2ACm220B1.25
Capacitor(μF)	20μF/450V	40μF/450V	45μF/450V	60μF/450V
Bearing	6202-2RZ	6204-2RZ		6205-2RZ, 6304-2RZ
Motor Shaft	304+steel 45#			
Machinery Seal	103-12/20.5 B:A(P)	155-17/30 S:A(P)/Stationary seal ring ø27 L pad		
	A:Graphite B: Ceramic P: NBR			
Motor Case	Aluminum			
Coupling	Cast iron			
Pump Body	Cast iron			
Impeller	Brass		304	Brass

## Dimensions & Weight

Model	DN1	DN2	Dim.(mm)										N.W. (kg)
			Single-phase		A	B	C	E	F	G	L	S	
		Inch											
2ACm75B1	1.25	1	140	185	192	82	21	148.5	339	10	112	145	15
2ACm110B1	1.5	1	165	210	215	88	34	185	395.5	10	112	150	22
2ACm150B1	1.5	1	165	210	215	88	34	185	395.5	10	112	150	25
2ACm220B1.25	1.5	1.25	180	225	235	86	31	196	427	12	128	168	29.6



Model	Dim.(LxWxH) mm	G.W.(kg) Single-phase	20"Loading Qty.(pcs)
Single-phase			
2ACm75B1	400x250x295	17	1270
2ACm110B1	460x270x315	24	885
2ACm150B1	460x270x315	27	885
2ACm220B1.25	490x300x355	31.6	584

