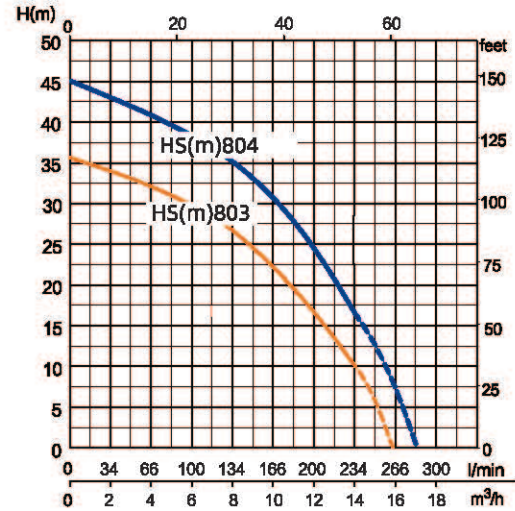
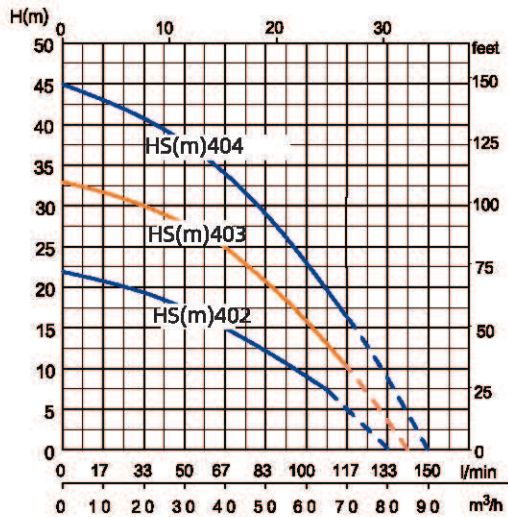
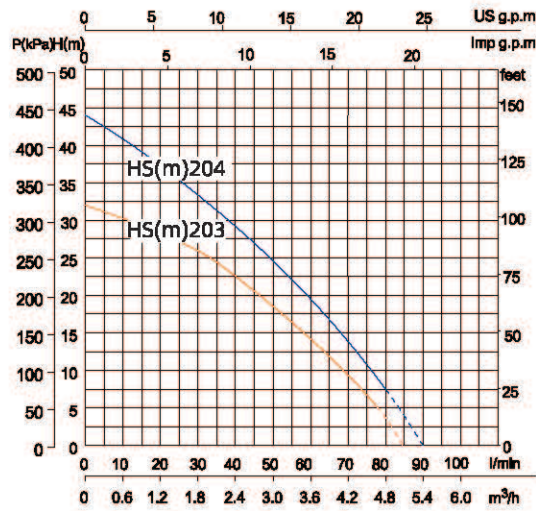


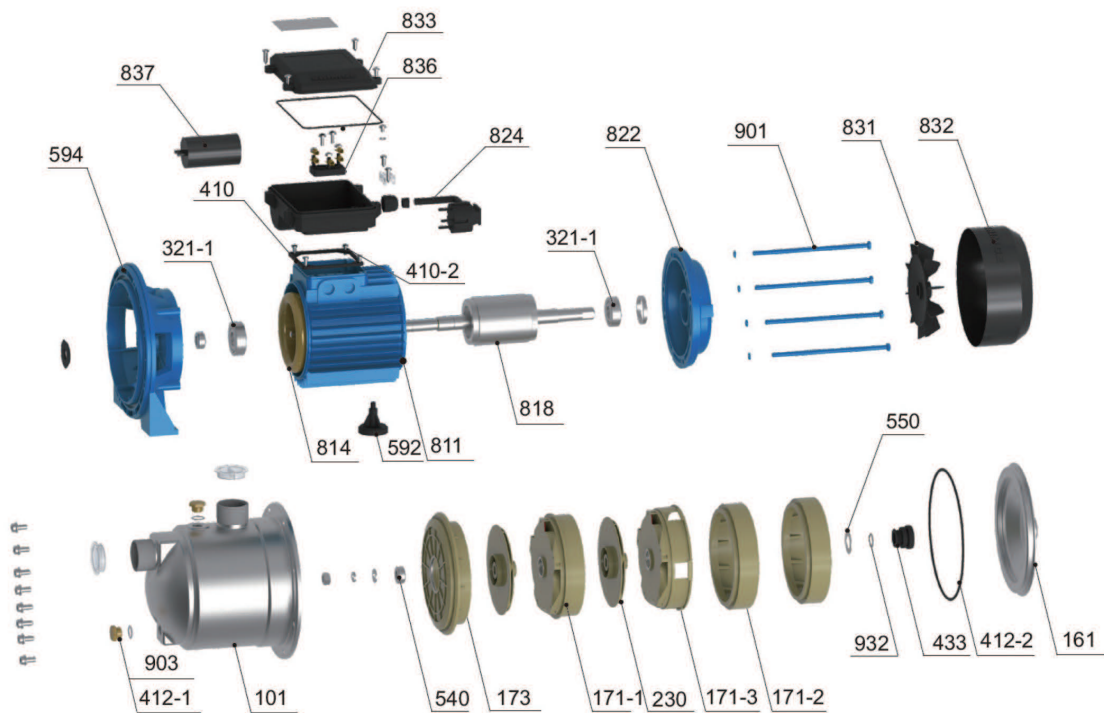
**Performance Curve**



Model		Power		Max. Flow (m³/h)	Max. Head (m)	Head Range (m)	Max. Suction (m)
Single-Phase	Three-Phase	kW	HP				
HSm203	HS203	0.46	0.62	5	32	32~4	7
HSm204	HS204	0.55	0.75	5.4	44	44~4	7
HSm402	HS402	0.46	0.62	8	22	22~4	7
HSm403	HS403	0.55	0.75	8.4	33.5	33.5~4	7
HSm404	HS404	0.75	1	9	45	45~4	7
HSm803	HS803	1.1	1.5	14	36	32~4	7
HSm804	HS804	1.5	2	14	45	42~4	7

Note: No plug 0.3 m.

## Components & Materials

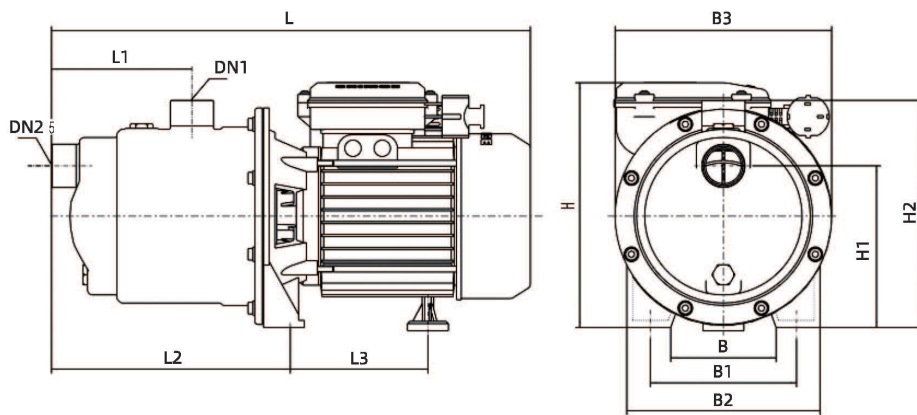


No.	Part name	No.	Part name	No.	Part name
903	Vent cock	836	Wiring terminal \ black triangle	101	Pump body
433	Mechanical seal	818	Rotor	171-3	Rear guide vane
171-1	Guide vane	831	Fan\QB70	410	Rubber gasket
901	Hexagon head bolt	173	Guide vane cover plate	822	Rear end cover
837	Running capacitor	833	Junction box assembly	540	Bushing
171-2	Guide vane washer	412-2	O-ring	832	Fan cover
594	Connector	412-1	O-ring	230	Impeller
811	Casing	321-2	Deep groove ball bearing	410-1	Rubber washer
824	Cable (domestic)	592	Foot	321-1	Deep groove ball bearing
932	Circlip for shaft	161	Pump cover	814	Stator core with winding

Model	HSm203	HSm204	HSm402	HSm403	HSm404	HS203	HS204	HS402	HS403	HS404
Capacitor(μF)	16μF/450V	18μF/450V	16μF/450V	18μF/450V	20μF/450V	/				
End cap Bearing	6202-2RZ									
Connection Part Bearing	6203-2RZ									
Motor Shaft	2Cr13									
Mechanical Seal	108-14/21 S:A(RC)									
	A: Graphite,K: Impregnated resin sintered graphite,W: Tungsten carbide,B: Alumina ceramics,F: Fluorine rubber,P: NBR, E: Ethylene propylene rubber,T: Plating Manganese steel with chromium,C: Stainless steel(06Cr19Ni10),H: brass S: Reactive Sintered Silicon Carbide,									
Motor Case	Aluminum									
Coupling	Aluminum									
Pump Body	the stainless steel pump body									
Impeller	Plastics PPO+GF30									

## Dimensions & Weight

Model	Dim.(mm)													N.W. (kg)
	DN1	DN2	L	L1	L2	L3	B	B1	B2	B3	H	H1	H2	
HS402	1"	1"	409	120	204	118	90	125	165	185	210	138	194	10
HS403	1"	1"	409	120	204	118	90	125	165	185	210	138	194	10.5
HS404	1"	1"	409	120	204	118	90	125	165	185	210	138	194	11
HS803	1.5"	1.5"	447	124	216	135	110	145	185	200	218	153	209.5	13.5
HS804	1.5"	1.5"	447	124	216	135	110	145	185	200	218	153	209.5	15
HSm402	1"	1"	409	120	204	118	90	125	165	185	210	138	194	10
HSm403	1"	1"	409	120	204	118	90	125	165	185	210	138	194	10.5
HSm404	1"	1"	409	120	204	118	90	125	165	185	210	138	194	11
HSm803	1.5"	1.5"	447	124	216	135	110	145	185	200	222	153	209.5	13.5
HSm804	1.5"	1.5"	447	124	216	135	110	145	185	200	222	153	209.5	15



## Packing Size & Weight

Model		Dim.(L×W×H) mm	G.W. (kg)	20'Loading Qty. (pcs)
Single-Phase	Three-Phase			
HSm203	HS203	460×225×255	10.5	1195
HSm204	HS204	460×225×255	11	1195
HSm402	HS402	460×225×255	10.5	1195
HSm403	HS403	460×225×255	11	1195
HSm404	HS404	460×225×255	11.5	1195

