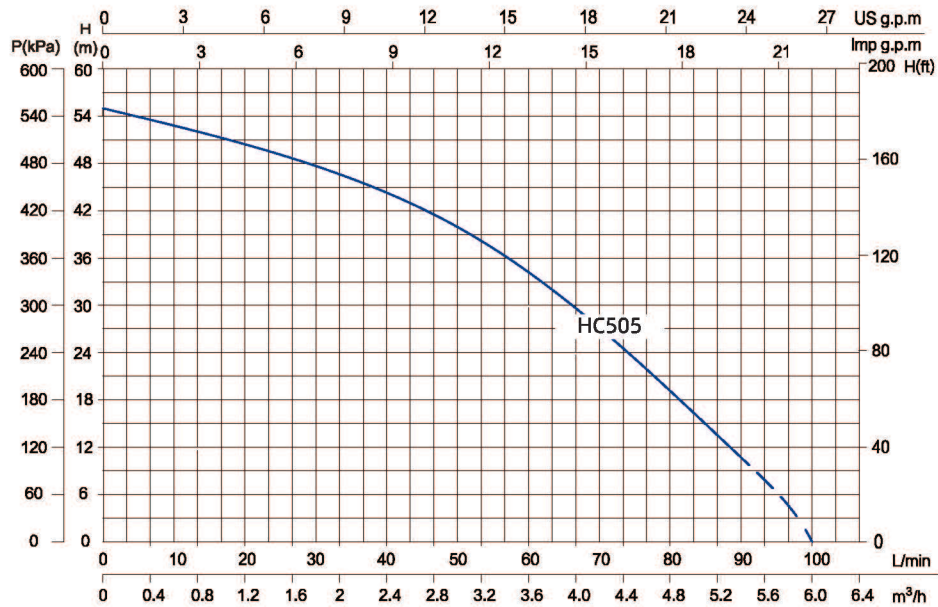
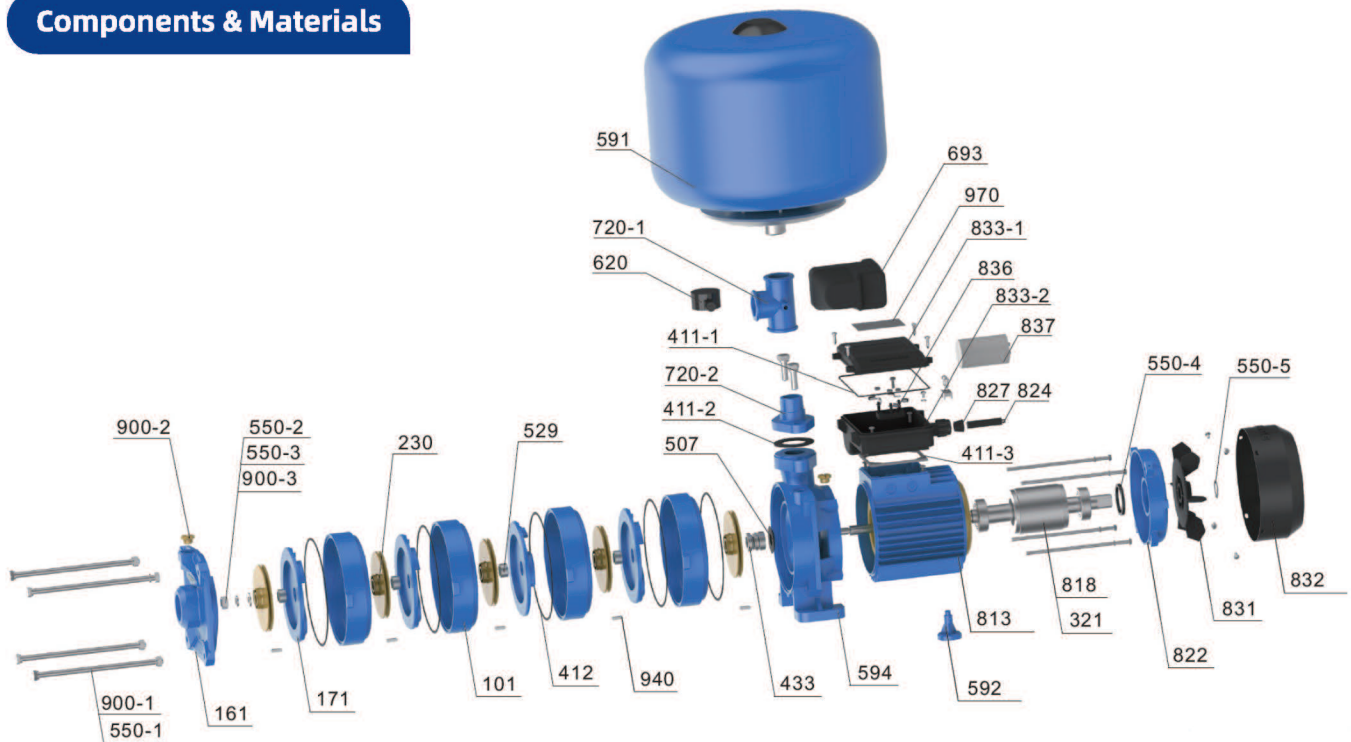


Performance Curve



Model	Power		Max. Flow (m³/h)	Max. Head (m)	Head Range (m)	Max. Suction (m)
	kW	HP				
Single-Phase						
HC505	0.9	1.2	5.4	55	40	7

Components & Materials



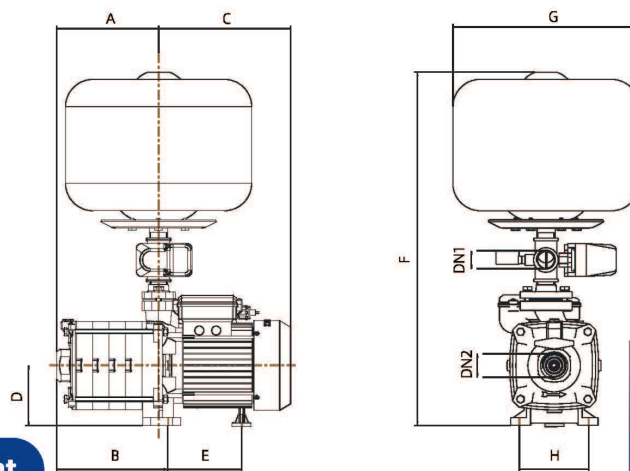
No.	Part name	No.	Part name	No.	Part name
101	Pump body	550-3	Spring washer	822	Rear end cover
161	Pump cover	550-4	Wave spring	824	Cable
171	Guide vane	550-5	Circlip for shaft	827	Cable sheath
230	Impeller	591	Pressure tank	831	Fan
321	Deep groove ball bearing	592	Foot	832	Fan cover
411-1	Rubber washer	594	Connector	833-1	Junction box cover
411-2	Rubber washer	620	Pressure gauge	833-2	Junction box
411-3	Rubber washer	693	Pressure switch	836	Wiring terminal
412	O-ring	720-1	Iron five-way connector	837	Running capacitor
433	Mechanical seal	720-2	Outlet joint	900-1	Hexagon head bolt
507	Water retaining ring	720-1	Iron five-way connector	900-2	Vent cock
529	Shaft sleeve	720-2	Outlet joint	900-3	Flat washer
550-1	Type I hexagon nut	813	Stator	940	Ordinary flat key
550-2	Type I hexagon nut	818	Rotor	970	Nameplate

Model	HC505
Capacitor	30μF/450V
End-cover Bearing	6204-2RZ
Coupling Bearing	6204-2RZ
Motor Shaft	45 # polishing material
Mechanical Seal	108-16/25 B:A (P)(Stationary seal ring ø27) A:Graphite,K:Impregnated resin sintered graphite,W:;Tungsten carbide,B:Alumina ceramics(YG6),F:Fluorine rubber,P:NBR,E:Ethylene propylene rubber,T:Plating Manganese steel with chromium,C:Stainless steel(06Cr19Ni10),H:brass
Motor Bracket	Aluminum
Coupling	HT200
Pump Body	HT200
Impeller	Brass

Note:The cable length is 0.3m,no plug.

Dimensions & Weight

Model	DN1	DN2	Dim.(mm)								N.W. (kg)
	Inch		A	B	C	D	E	F	G	H	
HC505	1	1.25	186	204	241	109.5	134	645	340	127	32



Packing Size & Weight

Model	Dim.(LxWxH) mm	G.W. (kg)	20'Loading Qty. (pcs)
HC505	445x360x660	35	582

