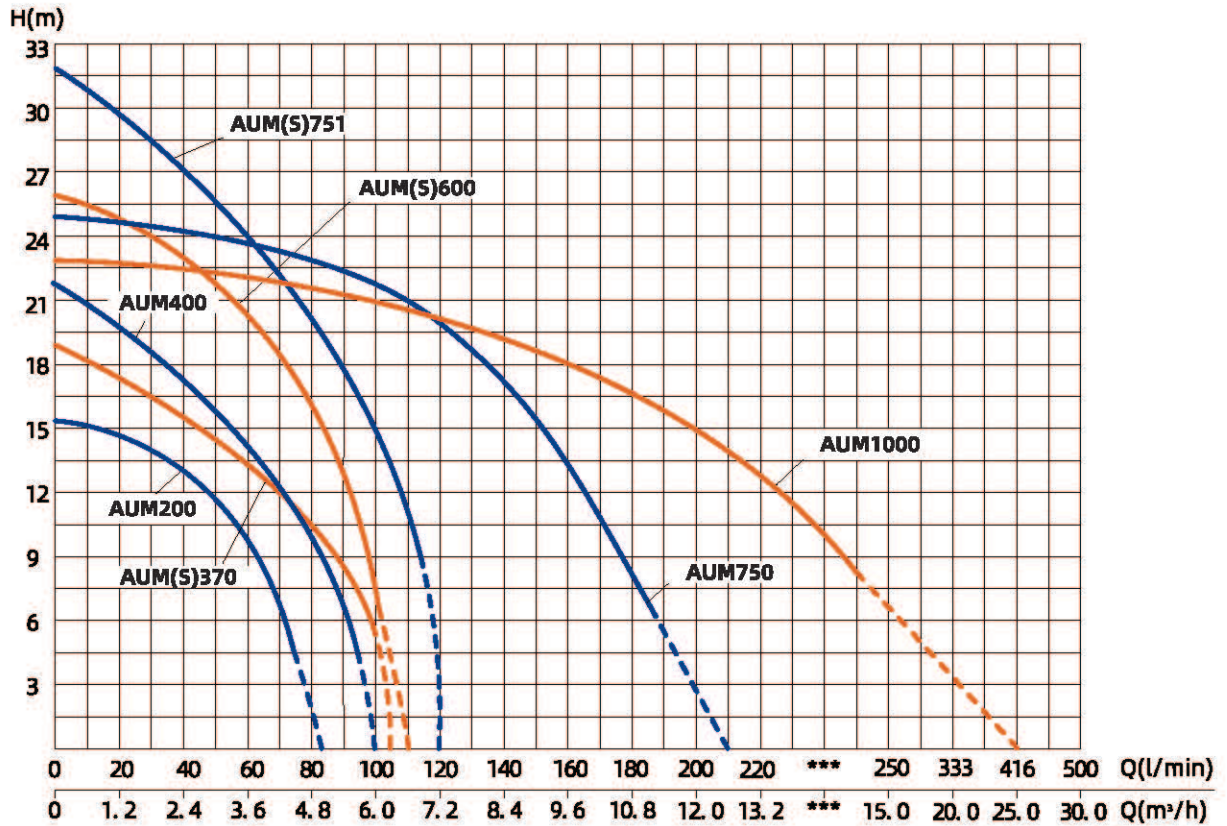
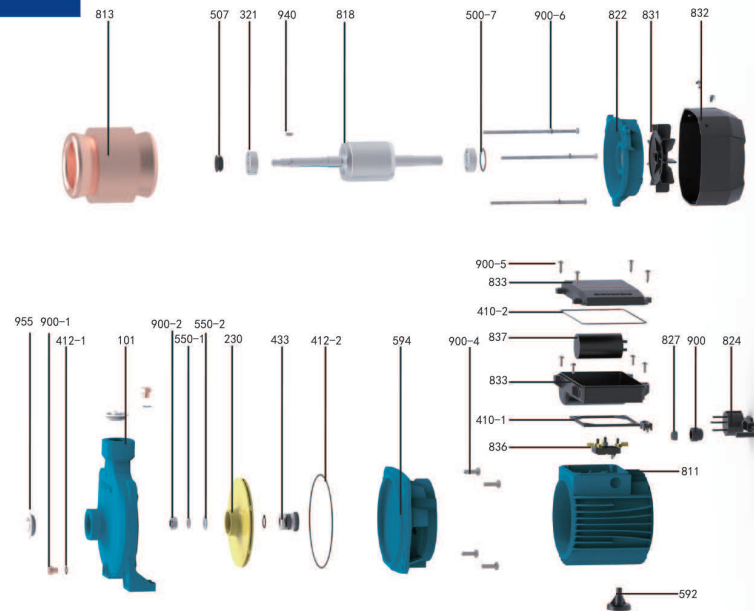


Performance Curve



Model		Power		Max. Flow (m³/h)	Max. Head (m)	Head Range (m)	Max. Suction (m)
Single-Phase	Three-Phase	kW	HP				
AUM200	-	0.25	0.3	5	15.5	15.5~4	7
AUM370	AUMS370	0.32	0.5	6	19	19~8	7
AUM400	-	0.37	0.5	6	22	22~8	7
AUM600	AUMS600	0.55	0.75	6.6	26	26~11	7
AUM751	AUMS751	0.75	1	7.2	32	32~14	7
AUM750	-	0.75	1	12.6	25	25~4	7
AUM1000	-	1	1.5	25	23	22~4	7

Components & Materials

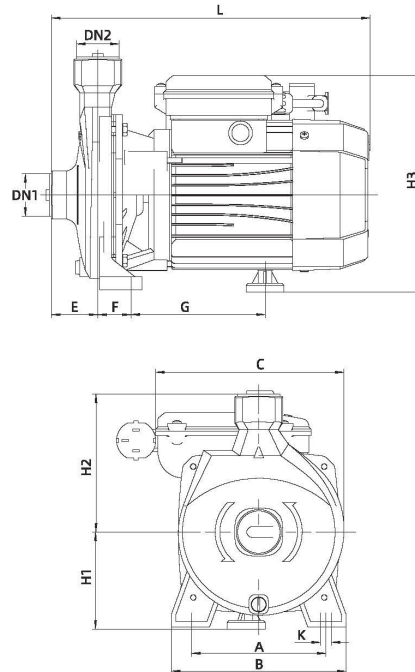
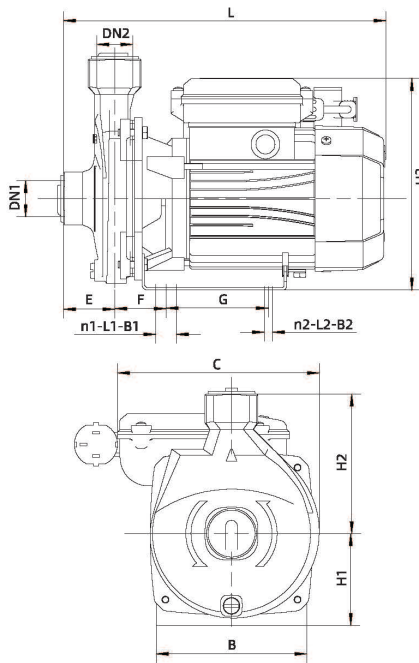


No.	Part name	No.	Part name	No.	Part name
832	Fan cover	410-2	Rubber washer	412-2	O-ring
831	Fan	837	Running capacitor	433	Mechanical seal
822	Rear end cover	833	Control box	230	Impeller
900-6	Hexagon head bolt	410-1	Rubber gasket	550-2	Flat washer
500-7	Wave spring	836	Wiring terminal	550-1	Spring washer
818	Rotor	827	Cable sheath	900-2	Style 1 hexagon nut
940	Ordinary flat type	900	Junction box nut	101	Pump body
321	Deep groove ball bearing	824	Cable	412-1	O-ring
507	Water retaining ring	811	Casing	900-1	Slotted cheese head screw
813	Stator core with winding	592	Foot	955	Dust cover
900-5	Cross recessed pan head self-tapping screw	900-4	Hexagon head bolt		
833	Control box cover	594	Connector		

Model	AUM200	AUM370	AUM400	AUM600	AUM751	AUM750	AUM1000
Capacitance	AC10 μ F\450V	AC18 μ F\450V	AC15 μ F\450V	AC18 μ F\450V	AC25 μ F\450V	AC30 μ F\450V	AC30 μ F\450V
Bearing	6201-2RS	6201-2RS	6202-2RS	6202-2RS	6202-2RS	6202-2RS	6202-2RZ
Rotor Shaft	45+304	45+304	45+304	45+304	45+304	45+304	45+304
Mechanical Seal	108-12/21&SK(EC)			108-14/25&SK(EC)			
Chassis				YL102			
Back Cover	HT200	YL102	HT200	HT200	YL102	YL102	YL102
Coupling				HT200			
Pump Body				HT200			
Impeller				PPO			

Dimensions & Weight

Model		DN1	DN2	Dim.(mm)												N.W. (kg)	
Single-Phase	Three-Phase	Inch	A	B	C	E	F	G	L	ΦK	H1	H2	H3	n1-L1-B1	n2-L2-B2		
AUM200	-	1"	1"	/	125	167	43	35	85	268	/	76	116	176	4-14-7	2-7-27.5	7.0
AUM370	AUMS370	1"	1"	124	160	172	43	31	123	266	10	87	125	187	/	/	8.0
AUM400	-	1"	1"	124	160	175	43	31	123	293	10	87	125	199	/	/	9.5
AUM600	AUMS600	1"	1"	140	180	185	47	38	112	294	10	98	132	208	/	/	11.5
AUM751	AUMS751	1"	1"	140	183	186	47	39	114	296	10	103	135	213	/	/	13.5
AUM750	-	1.25"	1.25"	140	182	186	47	38	112	294	10	100	144	208	/	/	13.5
AUM1000	-	1.5"	1.5"	140	183	186	47.5	37	118	299	10	103	136	213	/	/	13.5



Packing Size & Weight

Model	Dim.(L×W×H) mm	G.W. (kg)	20'Loading Qty. (pcs)
AUM200	300×205×240	7.5	1881
AUM(S)370	300×205×260	8.5	1881
AUM400	330×210×285	10	1568
AUM(S)600	330×225×285	12	1456
AUM(S)751	330×230×300	14	1225
AUM750	330×230×300	14	1225
AUM1000	330×230×300	14	1225

