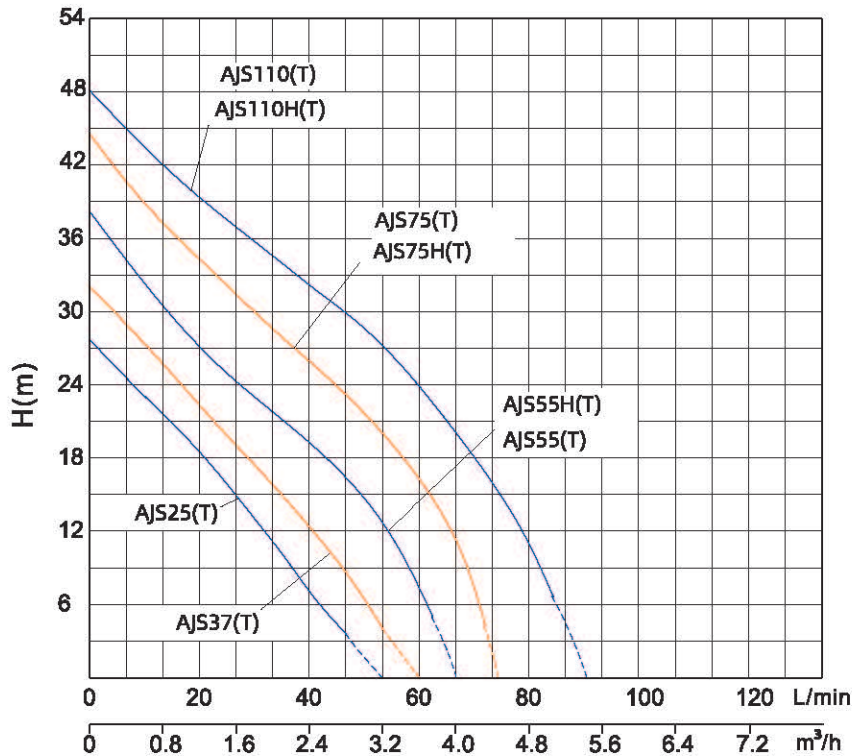
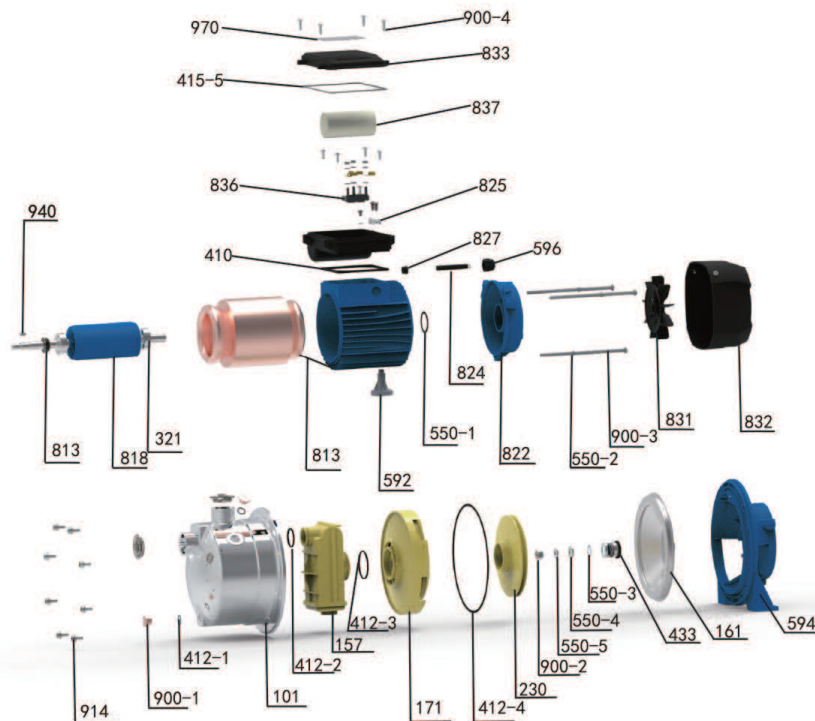


Performance Curve



Model		Power		Max. Flow (m³/h)	Max. Head (m)	Head Range (m)	Max. Suction (m)
Single-Phase	Three-Phase	kW	HP				
AJS25	AJS25T	0.25	0.34	3.2	28	28~4	8
AJS37	AJS37T	0.37	0.5	3.6	32	32~5	7
AJS55	AJS55T	0.55	0.75	4	38	38~4	9
AJS75	AJS75T	0.75	1	4.5	44	44~5.5	9
AJS110	AJS110T	1.1	1.5	5.4	48	48~9	9
AJS55H	AJS55HT	0.55	0.75	4	38	38~4	8
AJS75H	AJS75HT	0.75	1	4.5	44	44~5.5	8
AJS110H	AJS110HT	1.1	1.5	5.4	48	48~9	8

Components & Materials

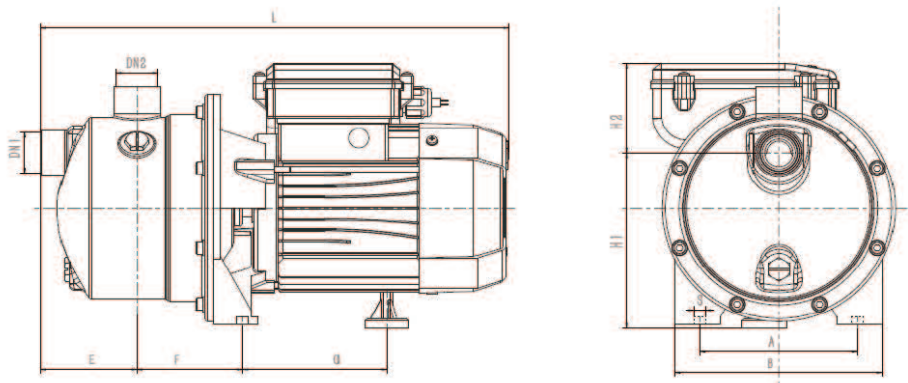


No.	Part name	No.	Part name	No.	Part name
914	Hexagonal head screw	433	Mechanical seal	321	Deep groove ball bearing
900-1	Vent cock	161	Pump cover	833	Junction box assembly
412 1 1	O-ring seal	594	Coupling	818	Rotor
101	Pump body (matte)	832	Fan cover	940	Flat key joint
412-2	O-ring seal	831	Fan	410	Rubber washer
157	Injector	900-3	Type I hexagonal bolt	836	Binding post
412 1 3	O-ring seal	550-2	Spring washer	412-5	O-ring seal
171	Guide vane	822	Rear end cover	970	Nameplate
412-4	O-ring seal	596	Cable lock	900-4	Cross recessed pan head tapping screw
230	Impeller	824	Cable	837	Capacitor
900-2	Type I hexagonal nut	550-1	Wave spring	825	Cable pressing plate
550-5	Spring washer	827	Cable sheath		
550-4	Flat washer	592	Foot		
550-3	Elastic collar for shaft	813	Stator		

Model	AJS25	AJS37	AJS55	AJS75	AJS110	AJS25T	AJS37T	AJS55T	AJS75T	AJS110T
Capacitor(μF)	12μF\450V			18μF\450V	25μF\450V	/	/	/	/	/
Bearing	6201-2RZ	6201-2RZ	6202-2RZ	6202-2RZ	6202-2RZ	6201-2RZ	6201-2RZ	6202-2RZ	6202-2RZ	6202-2RZ
Motor Shaft	304+45#	304+45#	304+45#	304+45#	304+45#	304+45#	304+45#	304+45#	304+45#	304+45#
Mechanical Seal	108-12/21&S:A(RC)		108-14/25&S:A(PC)			108-12/21&S:A(RC)		108-14/25&S:A(PC)		
Motor Case	YL102	YL102	YL102	YL102	YL102	YL102	YL102	YL102	YL102	YL102
Coupling	YL102	YL102	YL102	YL102	YL102	YL102	YL102	YL102	YL102	YL102
Pump Body	304	304	304	304	304	304	304	304	304	304
Impeller	PPO	PPO	PPO	PPO	PPO	PPO	PPO	PPO	PPO	PPO

Dimensions & Weight

Model	DN1	DN2	Dim.(mm)									N.W. (kg)
	Inch		A	B	E	F	G	L	S	H1	H2	
AJS25	1"	1"	105	145	70	79	109	333.5	9.5	120	64.5	5.5
AJS37	1"	1"	105	145	70	79	109	333.5	9.5	120	64.5	6
AJS55	1"	1"	125	165	76.5	83.5	114.5	371	9.5	143	73	8
AJS75	1"	1"	125	165	76.5	83.5	114.5	371	9.5	143	73	9.4
AJS110	1"	1"	145	183	76	97	109.5	379	9.5	153	68	11
AJS55H	1"	1"	125	165	76.5	83.5	114.5	371	9.5	143	73	8
AJS75H	1"	1"	125	165	76.5	83.5	114.5	371	9.5	143	73	9.4
AJS110H	1"	1"	145	183	76	97	109.5	379	9.5	153	68	11
AJS25T	1"	1"	105	145	70	79	109	333.5	9.5	120	59.5	5
AJS37T	1"	1"	105	145	70	79	109	333.5	9.5	120	59.5	5.5
AJS55T	1"	1"	125	165	76.5	83.5	114.5	371	9.5	143	59.5	8
AJS75T	1"	1"	125	165	76.5	83.5	114.5	371	9.5	143	59.5	9
AJS110T	1"	1"	145	183	76	97	109.5	379	9.5	153	54.5	10.5
AJS55HT	1"	1"	125	165	76.5	83.5	114.5	371	9.5	143	59.5	8
AJS75HT	1"	1"	125	165	76.5	83.5	114.5	371	9.5	143	59.5	9
AJS110HT	1"	1"	145	183	76	97	109.5	379	9.5	153	54.5	10.5



Packing Size & Weight

Model	Dim.(LxWxH) mm	G.W. (kg)	20' Loading Qty. (pcs)
AJS25	370x210x225	6.1	1628
AJS37	370x210x225	6.6	1628
AJS55	410x230x265	8.8	1140
AJS75	410x230x265	10.2	1140
AJS110	410x245x275	12	1017
AJS55H	410x230x265	8.8	1140
AJS75H	410x230x265	10.2	1140
AJS110H	410x245x275	12	1017
AJS25T	370x210x225	5.6	1628
AJS37T	370x210x225	6.1	1628
AJS55T	410x230x265	8.5	1140
AJS75T	410x230x265	9.8	1140
AJS110T	410x245x275	11.5	1017
AJS55HT	410x230x265	8.5	1140
AJS75HT	410x230x265	9.8	1140
AJS110HT	410x245x275	11.5	1017